

Prod. code: 119 1006

Sport-Thieme GmbH  
38367 Grasleben / Germany  
Tel: +49 5357 181 81  
Fax: +49 5357 181 90

## Assembly instructions for chalk stand

Thank you very much for choosing a **Sport-Thieme** product. We want to make sure that you can enjoy this product, so here is some important advice for your safety as well as for the use and maintenance of the equipment. Please read these instructions fully before you assemble and use the equipment:

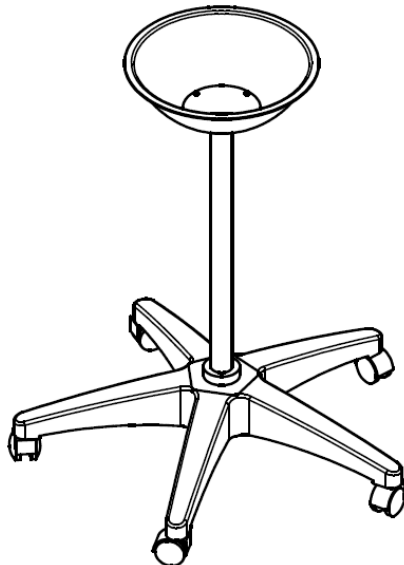


Illustration 1: chalk stand

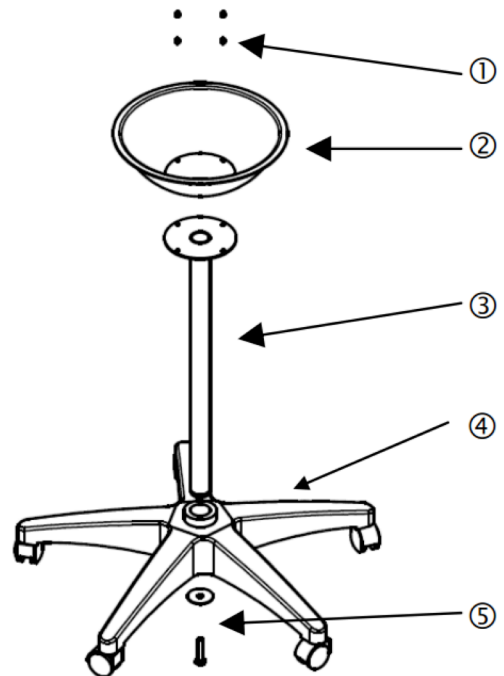


Illustration 2: exploded view drawing

When you open the package, please ensure all the necessary parts are included:

- ① 1 screws + nuts M5
- ② 1 x bowl
- ③ 1 x supporting tube
- ④ 1 x rolling gear
- ⑤ 1 x hex bolt M10 + washer

Prod. code: 119 1006

Sport-Thieme GmbH  
38367 Grasleben / Germany  
Tel: +49 5357 181 81  
Fax: +49 5357 181 90

## 1 **General**

The chalk stand is fitted with castors.  
It is designed for its intended use only and not to withstand large loads.  
For safety, three of the five castors are fitted with brakes.

## 2 **Assembly instructions**

Insert the supporting tube ③ into the rolling gear ④, please use the adapter included for more secure locking. Now, screw the supporting tube ③ to the bottom section using the hex bolt ⑤ and large washer. The bowl ② can now be fixed to the supporting tube ③ using the screws and nuts M5 ①.

**Caution: Do not overload or climb the equipment!**



### **Maintenance and care instructions**

**Instructions:** Carry out a visual check at regular intervals. Due to our continuous quality control of the products, technical changes may occur which may lead to slight deviations in the instructions.  
Check at regular intervals that the screw connections are tight.  
Check the equipment for possible damage and replace worn-out parts. Ensure that moveable parts are free-moving.

We are happy to answer any questions  
you may have.

Your **Sport-Thieme** Team