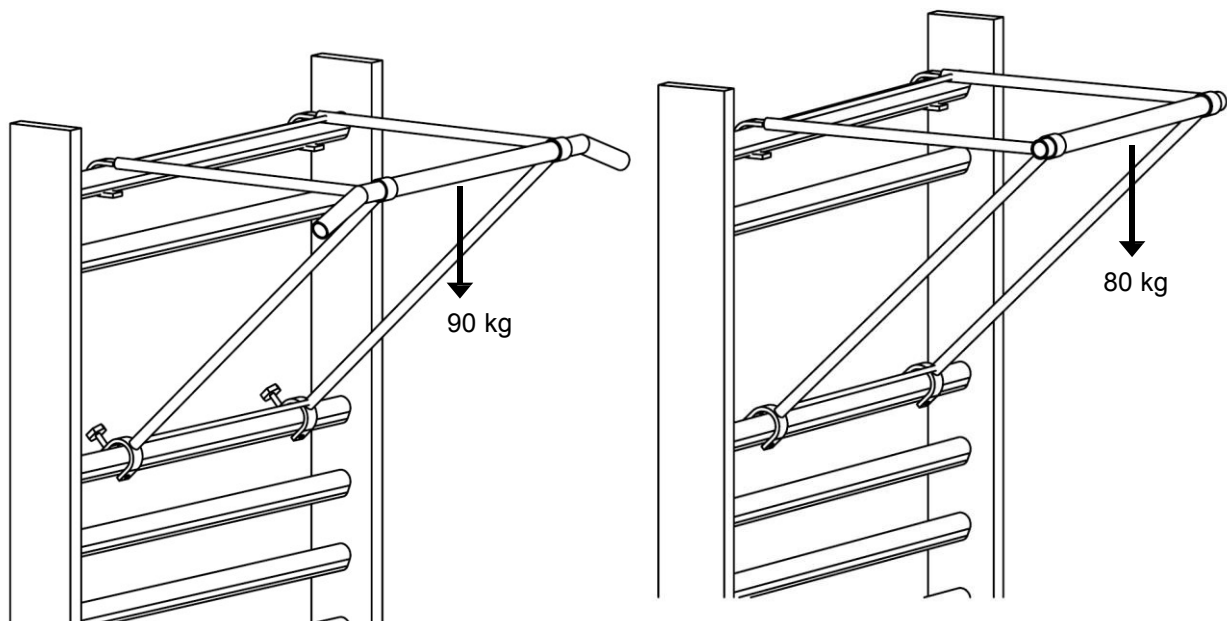


Assembly instructions for pull-up bar

Thank you very much for choosing a **Sport-Thieme** product. We want to make sure that you can enjoy this product, so here is some important advice for your safety as well as for the use and maintenance of the equipment. Please read these instructions fully before you assemble and use the equipment.



III. 1: pull-up bar (122 6919 wide)

III. 2: pull-up bar (122 6906)

1. General

The wall bars pull-up bar has a variety of uses and can be attached to any standard wall bars at various heights. Furthermore, the bar can be used as a support structure for the platform of the "ramp" (Prod. no. 128 5648). The sturdy metal construction and the wooden bar allow for safe use. Assembly is easy and can be carried out without tools. After use, the pull-up bar can be stored compactly.

Assembly instructions

Attach the pull-up bar to the wall bars in such way that the upper supports with the hooks are approximately at the desired training height. Now, place the lower supports on the rungs in such way that the upper supports are almost horizontal. This also ensures sufficient distance to the wall bars. The lower supports can be secured against lifting if safety screws are available.

Caution: Do not overload or climb the equipment!



Maintenance and care instructions

Instructions:

Carry out a visual check at regular intervals. Due to our continuous quality control of the products, technical changes may occur which may lead to slight deviations in the instructions.

Check at regular intervals that the screw connections are tight.

Check the equipment for possible damage and replace worn-out parts. Ensure that moveable parts are free-moving. Before each use, make sure that the rungs of the wall bars and the pull-up bar are not damaged.

We are happy to answer any questions
you may have.

Your **Sport-Thieme** Team