

USER MANUAL



FUNTEC

BEACH VOLLEYBALL POSTS

PRO BEACH

ID: 111206/111205/111204



USER MANUAL FOR BEACH VOLLEYBALL POSTS PRO BEACH



GENERAL INFORMATION

111206 - WITH CITY BEACH SOCKETS
(FOR A FREESTANDING INSTALLATION WITH SQUARE TIMBERS)

4

111205 - WITH BOLT-DOWN SOCKETS

10

111204 - WITH REMOVABLE SOCKETS (SWITCH-SYSTEM)

16

SPARE PARTS

26

GENERAL INFORMATION

PLEASE READ CAREFULLY BEFORE ASSEMBLY OR USE
AND RETAIN FOR FUTURE USE

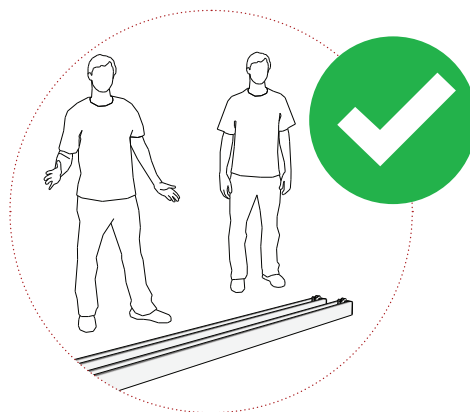
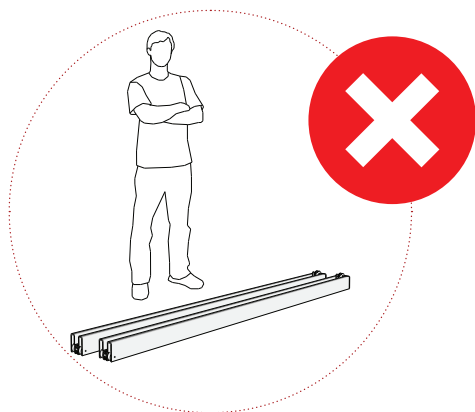
ID: 111206/111205/111204

Security advice

- This product has been developed for use at competitions and at top-class sports.
- This product must be used in accordance with its designated use which is Volleyball or similar sports.
- Before using this product make sure it has been installed properly and all supports or fittings are firmly tightened.
- This product corresponds with DIN 33957:2012-04 and it has been developed in accordance with DIN EN 1271:2015-01.
- In case the posts have been removed from the sockets please make sure to cover any remaining parts in a way that players won't get injured.

Assembly instructions

- This product has to be assembled with due care by an adult person. We recommend to call upon the help of a second person.
- For this product a level ground is required with the dimensions of at least 14 x 22 m (for the leisure sports) or 18 x 26 m (for competition sports).
- Depending on the way of floor mounting it is required to create foundations according to instructions from this manual.
- Please take no unnecessary risks while handling the equipment and be careful when assembling this product.



Maintenance and care

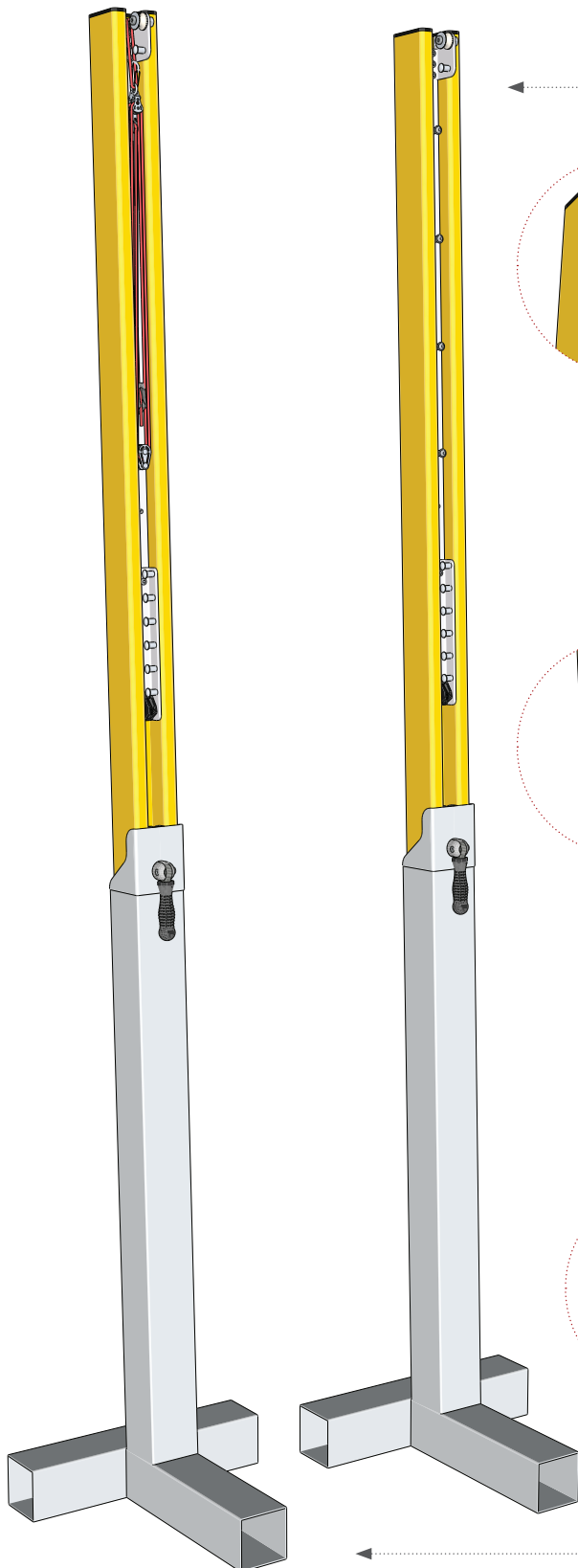
- This product does not require regular maintenance work. However, we recommend to check all components for damages or deformation regularly. Any damaged parts should be replaced as soon as possible.
- For cleaning please just use water (with a mild washingup liquid). Do not use corrosive, solvent or abrasive cleaning products.
- The ideal storage location is dry with a temperature between 10 and 25° C.

BEACH VOLLEYBALL POSTS PRO BEACH

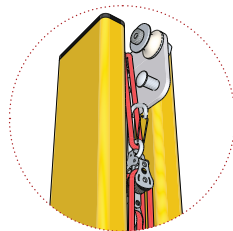
CITY BEACH - WITH FREESTANDING SOCKETS



OVERVIEW ID: 111206



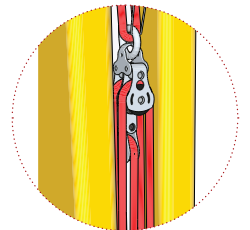
Pro Beach net posts made from powdercoated special aluminium profile (91 x 91 mm), telescopic height adjustment due to special socket adapters



With single-arm suspension allows easy mounting of tension cable

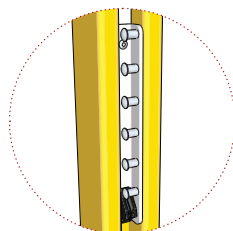
Rope pulley with triple block combination including a stainless steel carabiner with wire gate (for one-handed use)

Pulley block system is self-balancing to pulling direction

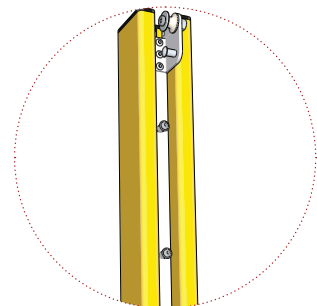


Open tensioning console with horizontal pins for best choice of net cord angle

Includes an additional clamcleat below for comfortable fine adjustment of tensioning ropes

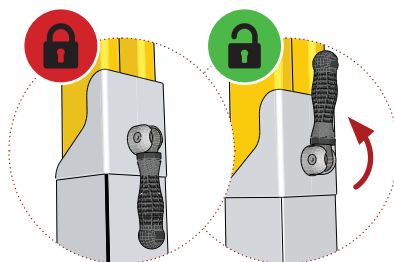


Tensioning counter slider with four vertical pins, ideal for pre-tensioning or differing cable lengths



Pro Beach sockets with easy-to-use locking lever

Maximum operation comfort with exact lever position (open/closed)



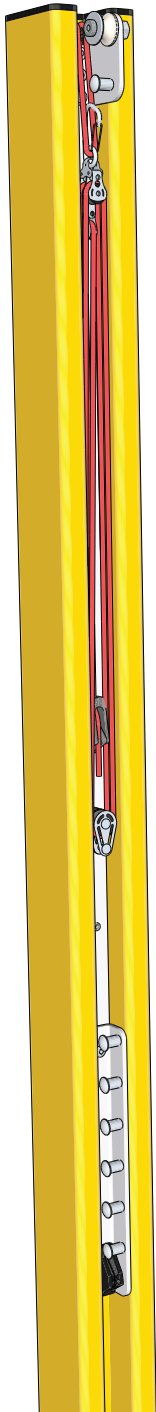
Sockets with T-base for a freestanding installation with square timbers

SCOPE OF DELIVERY

ID: 111206

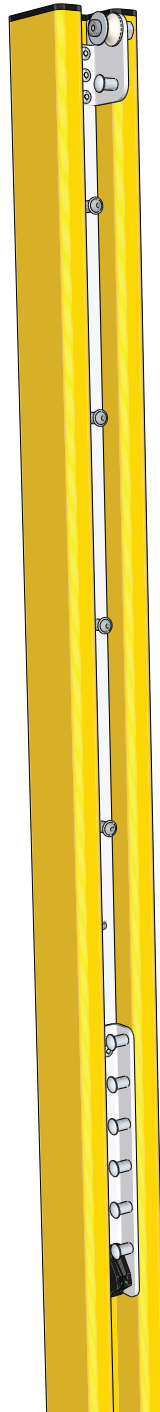


Net post with
tackle tensing slider



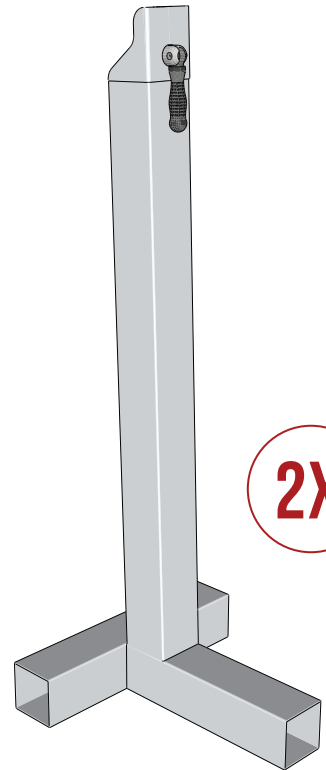
1X

Net post with
tensing counter slider



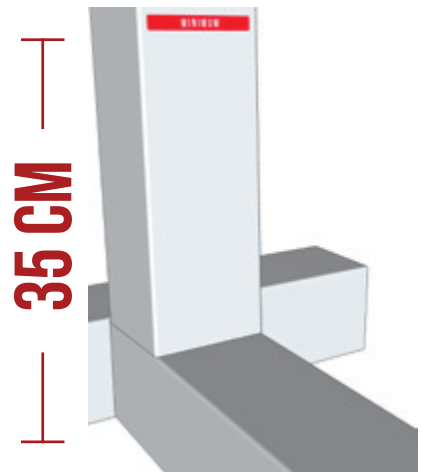
1X

Pro Beach socket
with T-Base



2X

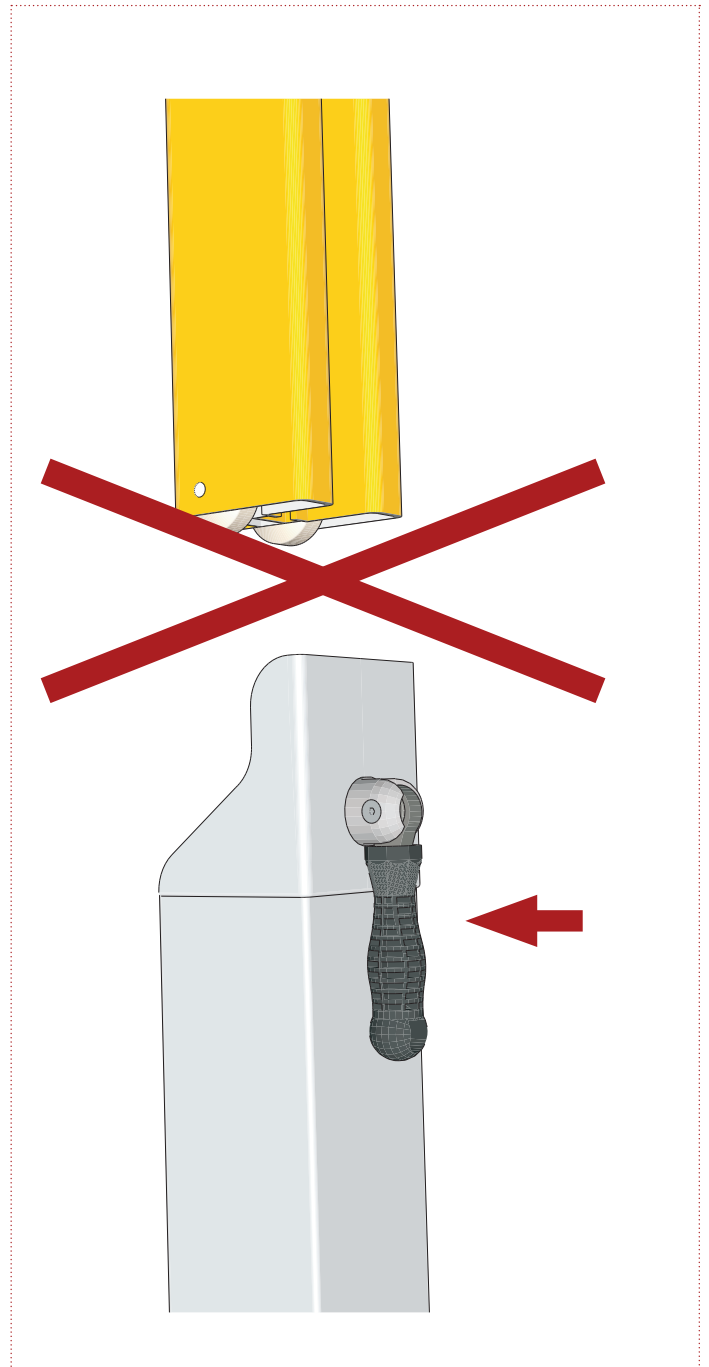
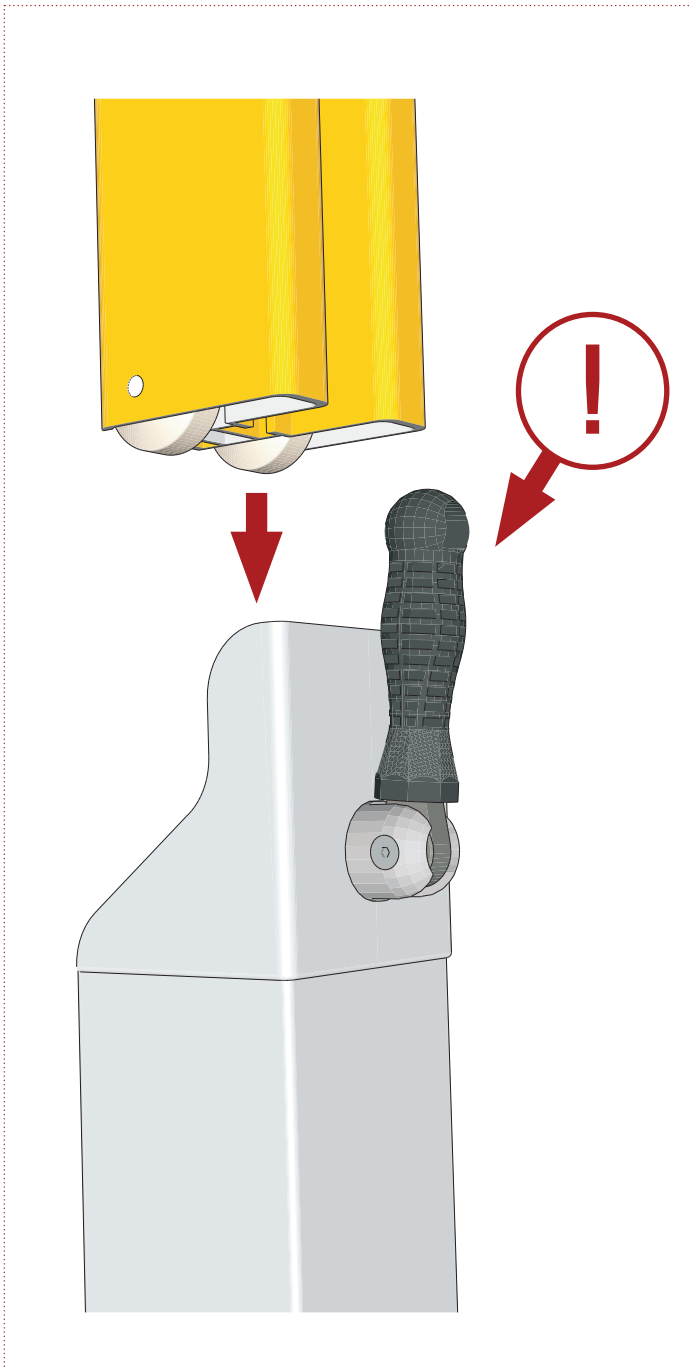
Minimum sand level



35 CM

IMPORTANT NOTICE!

FOR ID: 111206



ASSEMBLY

ID: 111206



General information on building a Beach Volleyball court with City Beach sockets:

When building a sand court we suggest to fill up the sand first of all. Afterwards you can just dig in the City Beach ground sockets and set up the net system.

We consider a permanent sand level of 40-50 cm as ideal. It is recommended to fill up the sand a little bit higher at the centres of the playing field halves. It will be moved away towards the court surrounds by the players. Please make sure to create a minimum sand level of 35 cm around the ground sockets for this installation option.

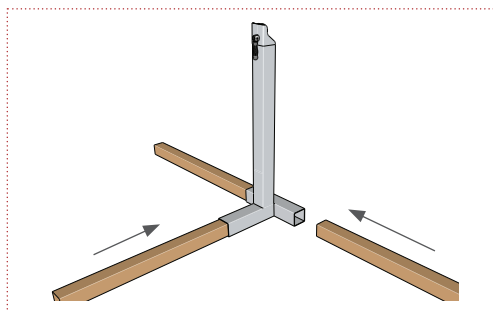
Example: Approximately 250 tons sand are required for a sand court with 14 x 22 m dimensions (for leisure sports) and a sand level of approximately 45 cm. Calculation: volume in m³ x density factor (e.g.: 1,8 - depending on the grain size and the sand quality).

MINIMUM SAND LEVEL: 35 CM

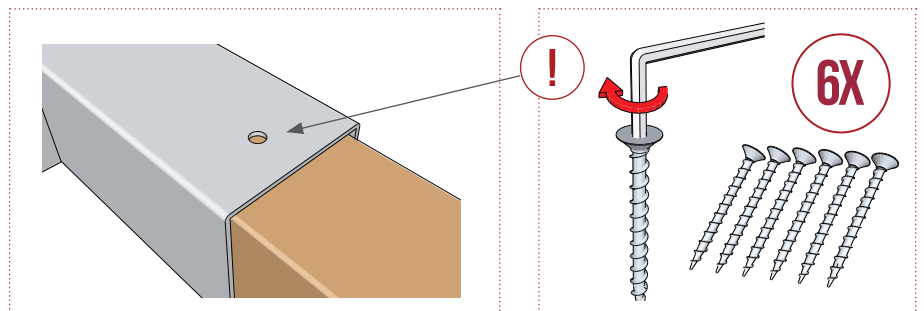
Required for assembly:

Pressure-treated square timbers, 6 pieces, each 1500 x 88 x 88 mm (maximum dimensions: 1500 x 90 x 90 mm), suitable for permanent ground contact

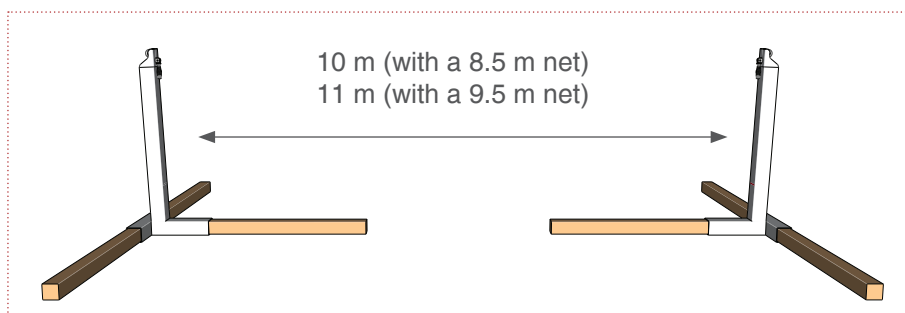
Insert square timbers into T-base



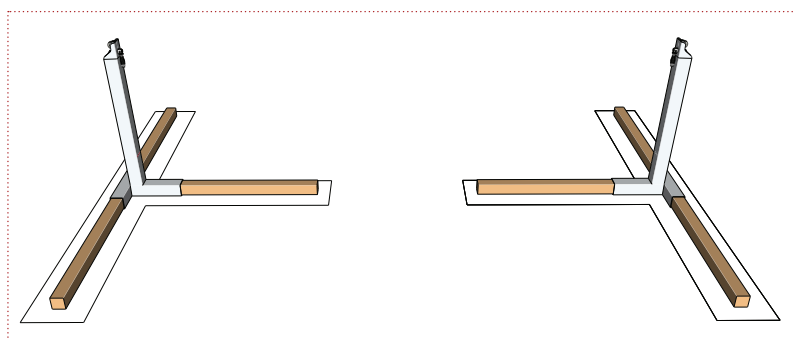
Secure with suitable screws



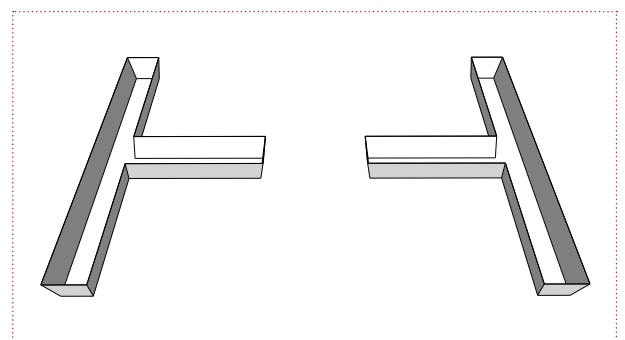
Set into position: ground sockets together with inserted square timbers



Mark the outline of the square timbers



Make excavations according to outlines

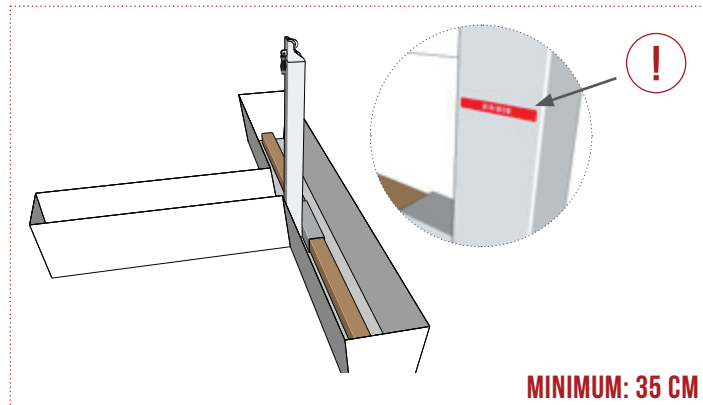


ASSEMBLY

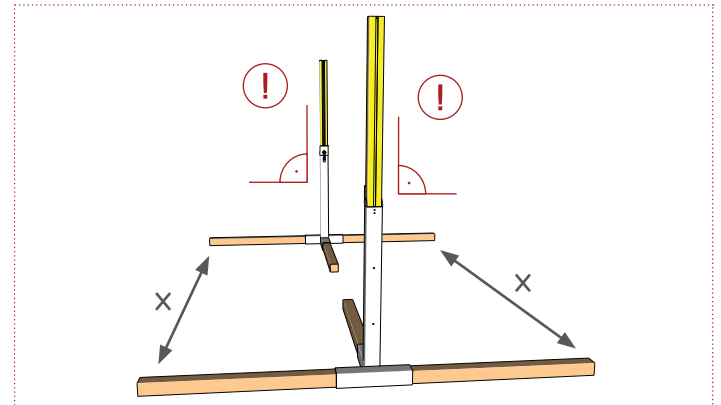
ID: 111206



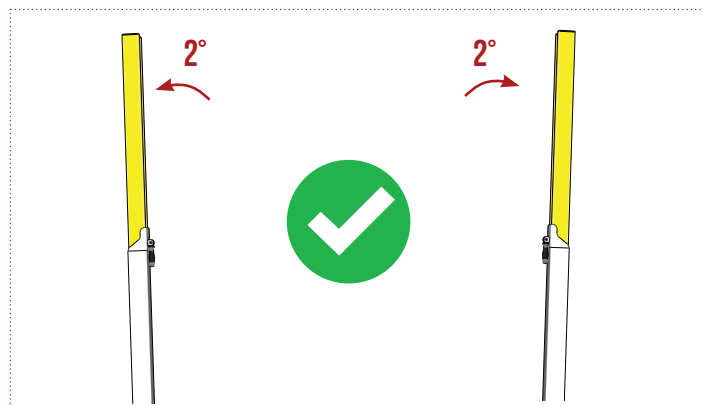
Set ground sockets with timbers into excavation; be careful not to step onto the borders of the excavation



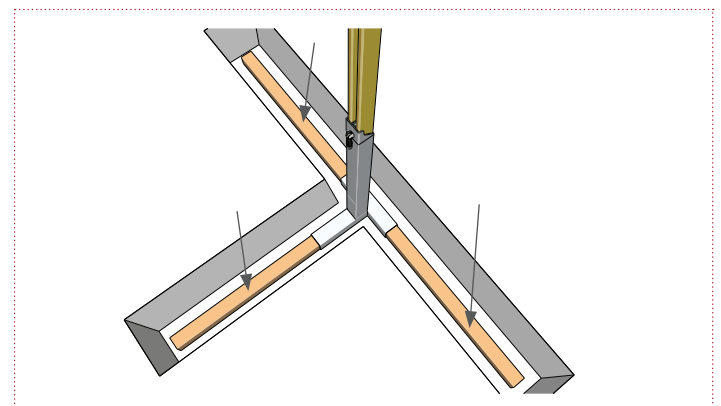
Align the sockets with each other - inserting the net poles will be helpful



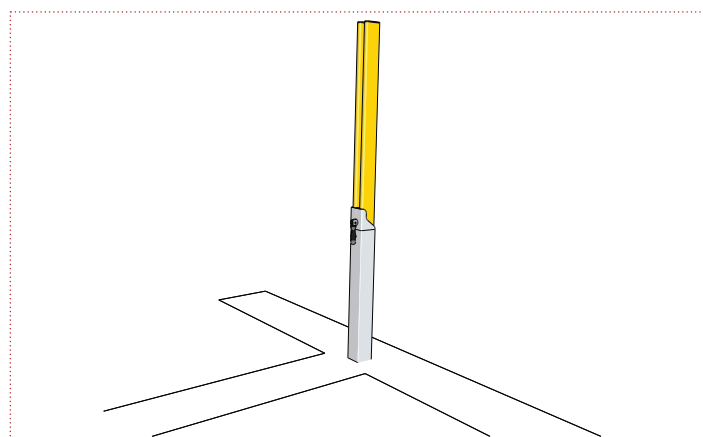
The sockets are designed with a 2° sloping angle to the outwards



Step on the timbers to press them firmly into the sand



Fill up the excavation
(Be careful not to move the timbers when doing this!)

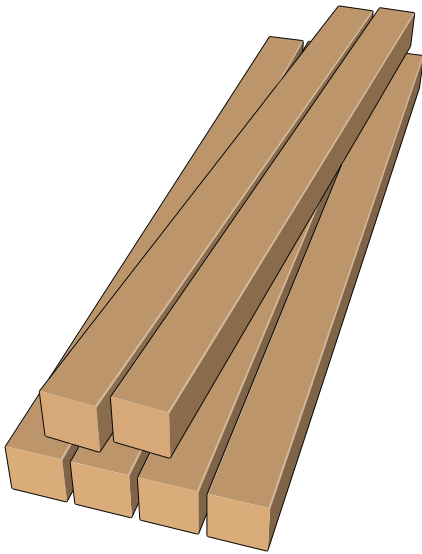


ACCESSORIES (SOLD SEPARATELY)

FOR ID: 111206



Square timber set
ID: 111232



1X

Pro Beach net PLUS, incl. net antennas PLUS
(2-piece, with velcro strap pockets), ID: 111601



1X

Pro Beach Courtline
ID: 111304



1X

Square-cut Beach Volley post pads (100 x 100 mm),
1 pair, ID: 111353



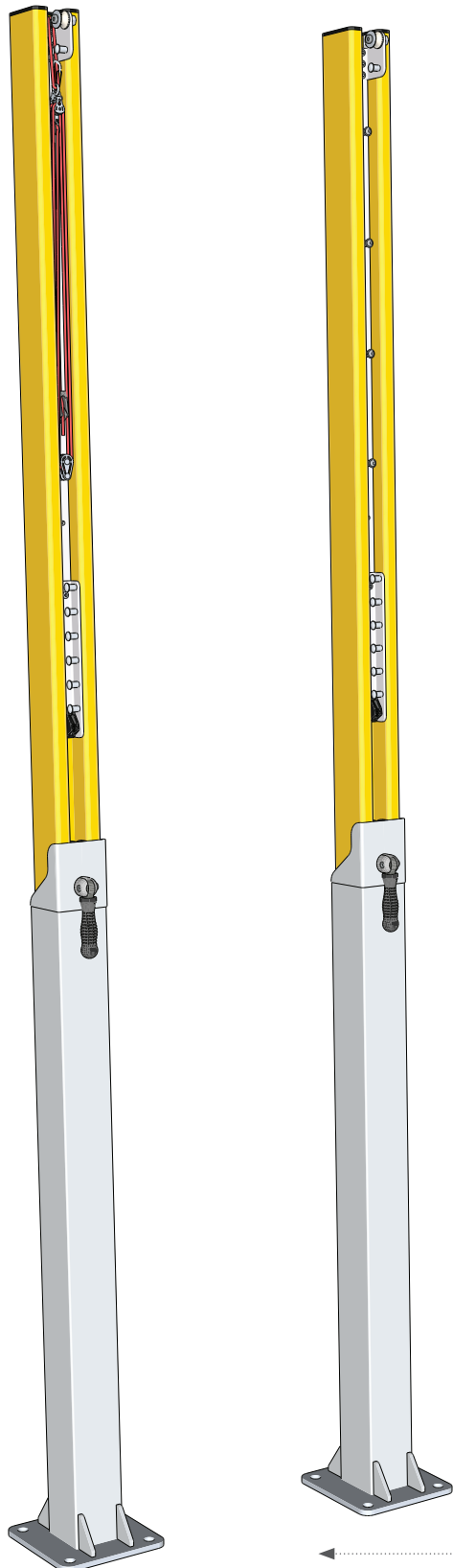
1X

BEACH VOLLEYBALL POSTS PRO BEACH

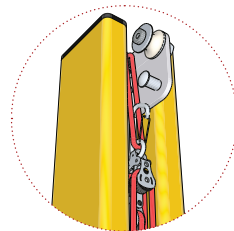
WITH BOLT-DOWN SOCKETS



OVERVIEW ID: 111205



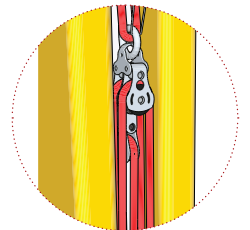
Pro Beach net posts made from powdercoated special aluminium profile (91 x 91 mm), telescopic height adjustment due to special socket adapters



With single-arm suspension allows easy mounting of tension cable

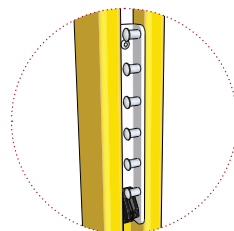
Rope pulley with triple block combination including a stainless steel carabiner with wire gate (for one-handed use)

Pulley block system is self-balancing to pulling direction

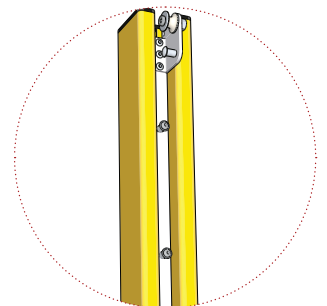


Open tensioning console with horizontal pins for best choice of net cord angle

Includes an additional clamcleat below for comfortable fine adjustment of tensioning ropes

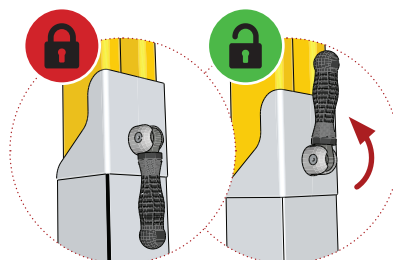


Tensioning counter slider with four vertical pins, ideal for pre-tensioning or differing cable lengths



Pro Beach sockets with easy-to-use locking lever

Maximum operation comfort with exact lever position (open/closed)



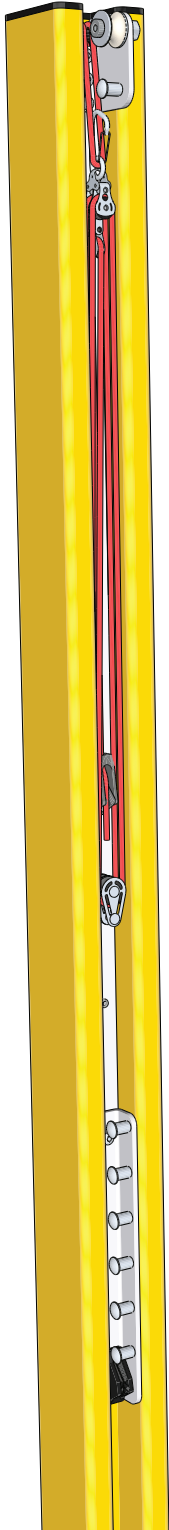
Sockets with bolt-down base for installation on a concrete foundation

SCOPE OF DELIVERY

ID: 111205

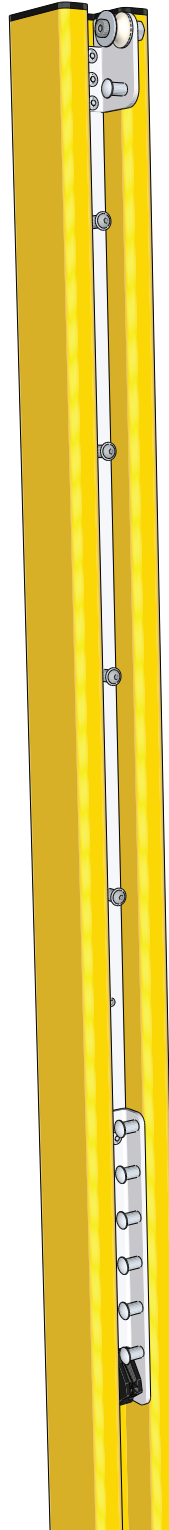


Net post with tackle tensioning slider



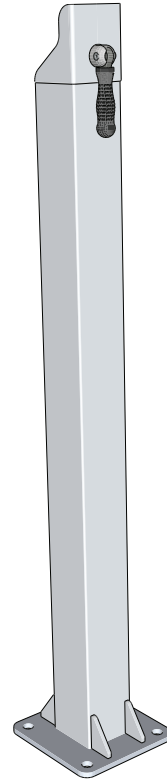
1X

Net post with tensioning counter slider



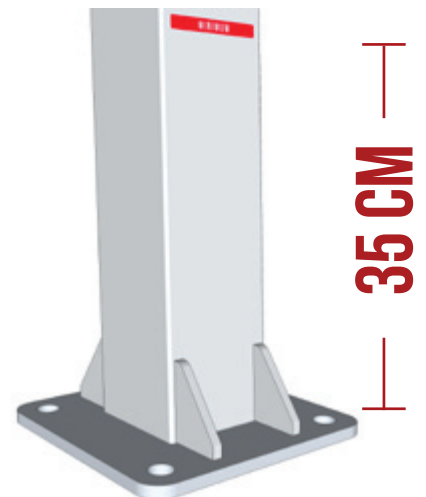
1X

Pro Beach socket with bolt-down base



2X

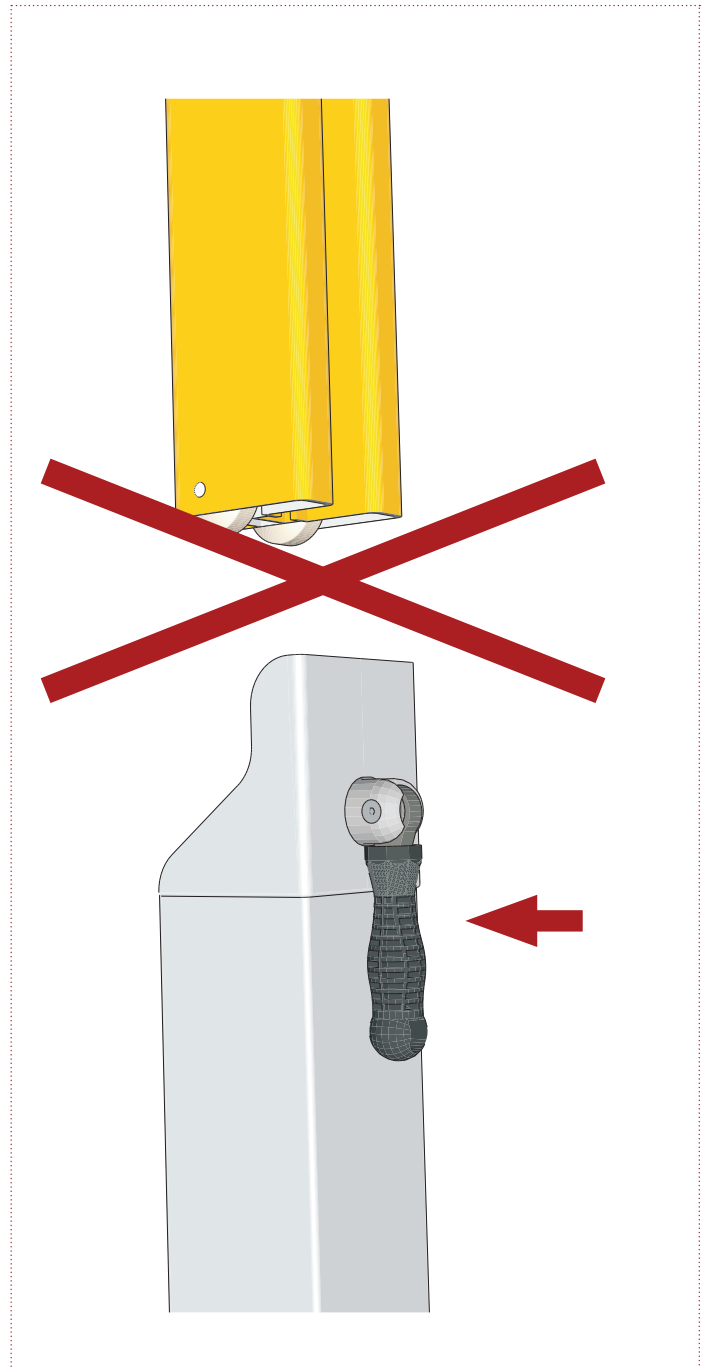
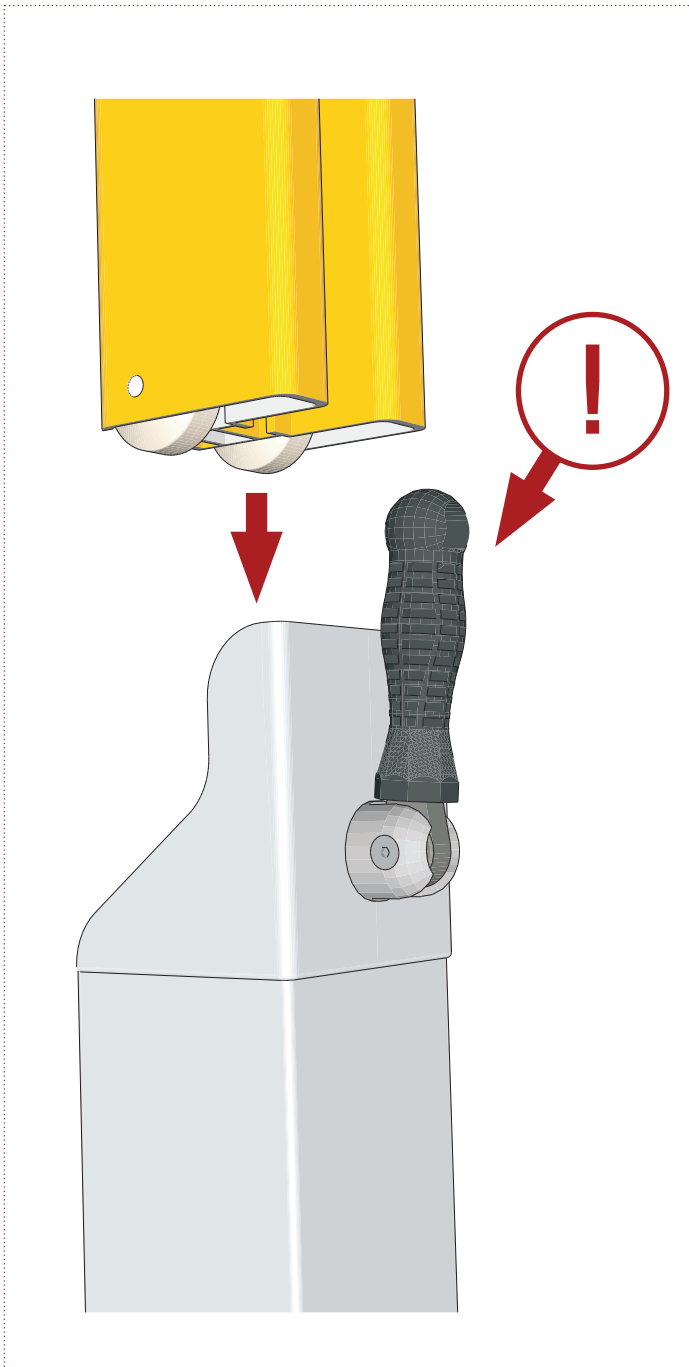
Minimum sand level



35 CM

IMPORTANT NOTICE!

FOR ID: 111205



CONCRETE FOUNDATION

FOR ID: 111205



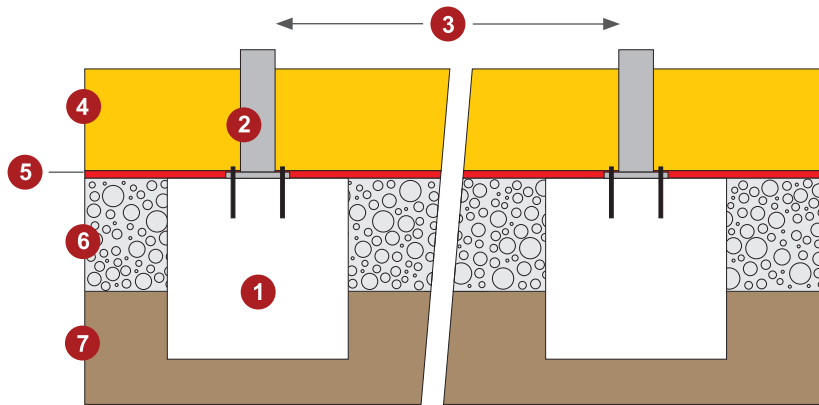
General information on building a Beach Volleyball court with bolt-down socket:

We consider a permanent sand level of 40-50 cm as ideal. It is recommended to fill up the sand a little bit higher at the centres of the playing field halves. It will be moved away towards the court surrounds by the players. Please make sure to create a minimum sand level of 35 cm around the ground sockets for this installation option.

Example: Approximately 250 tons sand are required for a sand court with 14 x 22 m dimensions (for leisure sports) and a sand level of approximately 45 cm. Calculation: volume in m³ x density factor (e.g.: 1,8 - depending on the grain size and the sand quality).

MINIUM SAND LEVEL: 35 CM

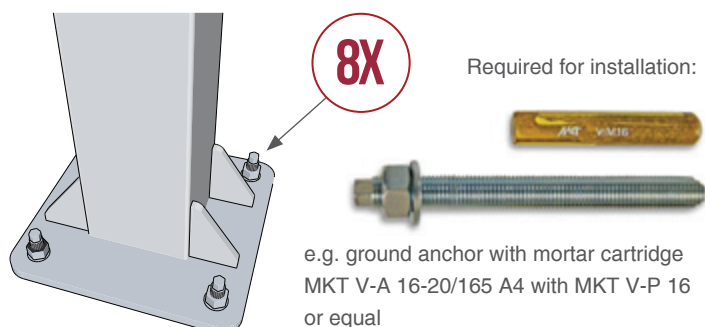
Create foundations with a closed surface,
Distance (clear span between sockets): 10 m with a 8.5 m net, 11 m with a 9.5 m net



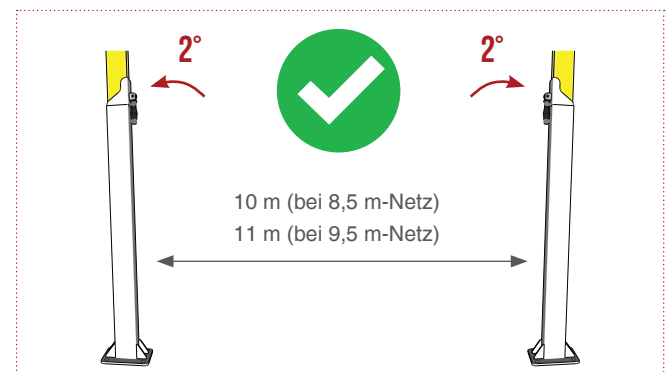
Description

- | | |
|---|--|
| 1 | Foundation, Dimensions: 80 x 80 x 80 cm, class C25/30, built-in welded wire fabric (Q188A) |
| 2 | Ground socket, bolted down on the concrete foundation |
| 3 | Distance (clear span): 10 m (with a 8.5 m net), 11 m (with a 9.5 m net) |
| 4 | Sand (minimum sand level: check red marking) |
| 5 | Drainage matting/geomembrane |
| 6 | Drainage/base layer, 50 cm approx. |
| 7 | Soil |

Screw down the sockets onto the foundation



The sockets are designed with a 2° sloping angle to the outwards



ACCESSORIES (SOLD SEPARATELY)

FOR ID: 111205



Steel ground anchor, with mortar cartridge, ID: 111213



8X

Pro Beach net PLUS, incl. net antennas PLUS (2-piece, with velcro strap pockets), ID: 111601



1X

Pro Beach Courtline
ID: 111304



1X

Square-cut Beach Volley post pads (100 x 100 mm),
1 pair, ID: 111353



1X

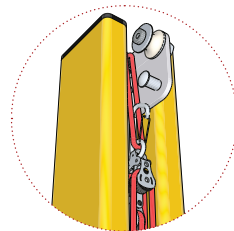
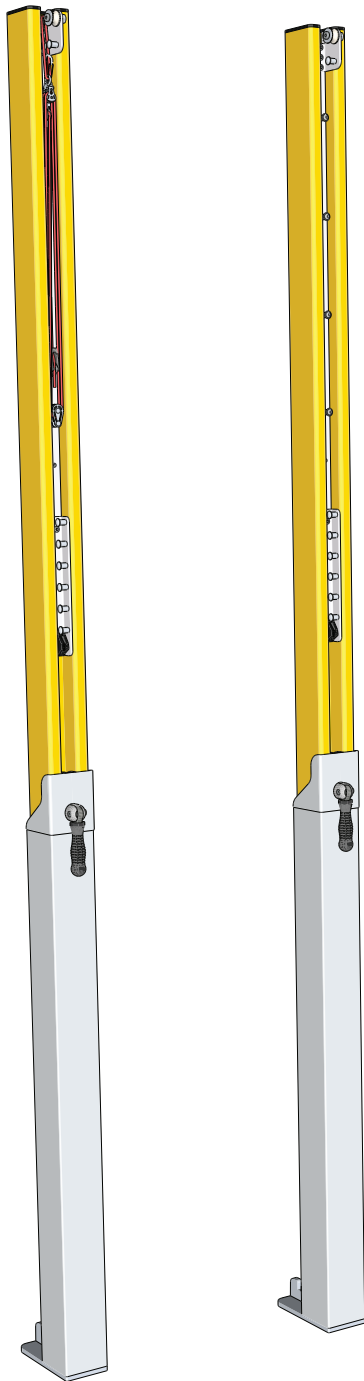
BEACH VOLLEYBALL POSTS PRO BEACH

SWITCH - WITH REMOVABLE SOCKETS



OVERVIEW ID: 111204

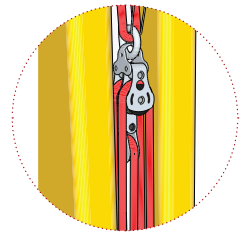
Pro Beach net posts made from powdercoated special aluminium profile (91 x 91 mm), telescopic height adjustment due to special socket adapters



With single-arm suspension allows easy mounting of tension cable

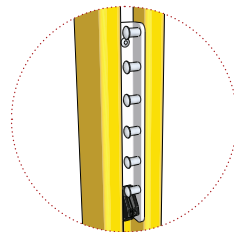
Rope pulley with triple block combination including a stainless steel carabiner with wire gate (for one-handed use)

Pulley block system is self-balancing to pulling direction

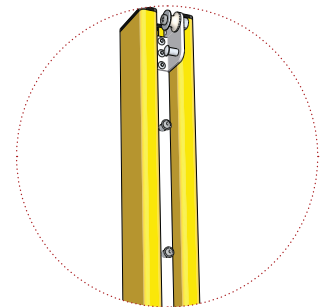


Open tensioning console with horizontal pins for best choice of net cord angle

Includes an additional clamcleat below for comfortable fine adjustment of tensioning ropes

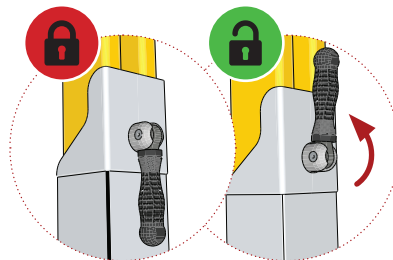


Tensioning counter slider with four vertical pins, ideal for pre-tensioning or differing cable lengths



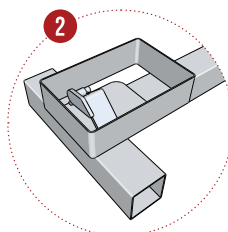
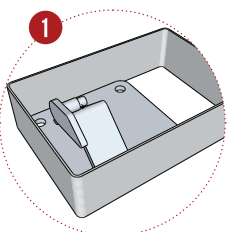
Pro Beach sockets with easy-to-use locking lever

Maximum operation comfort with exact lever position (open/closed)



1 Switch bolt-down ground plate for a concrete foundation

2 Switch ground plate with T-base for a freestanding installation with square timbers

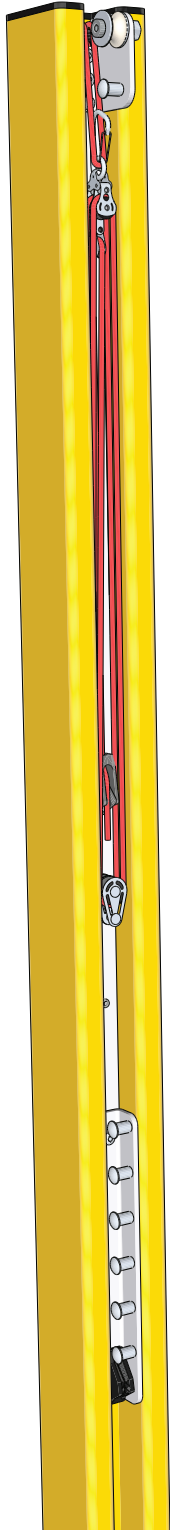


SCOPE OF DELIVERY

ID: 111204

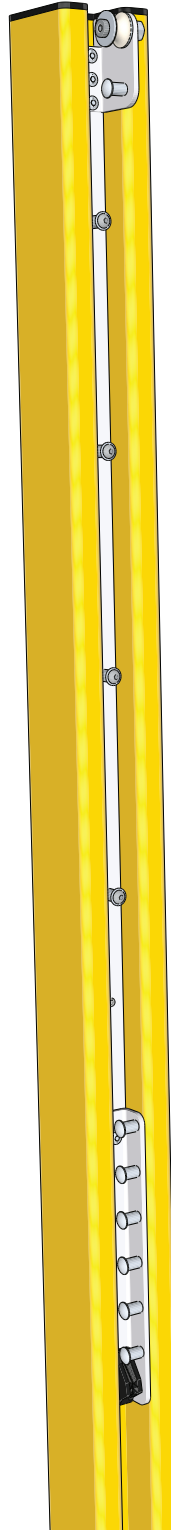


Net post with tackle tensioning slider



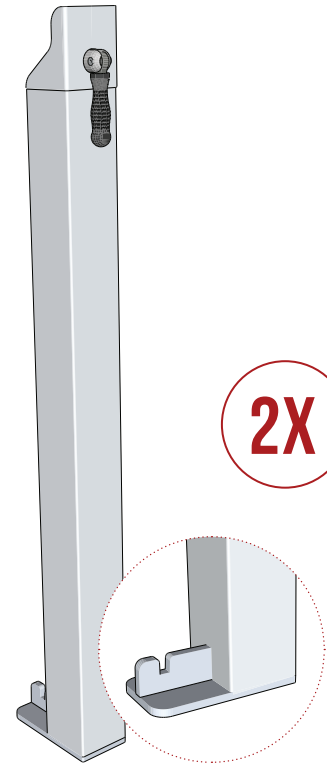
1X

Net post with tensioning counter slider



1X

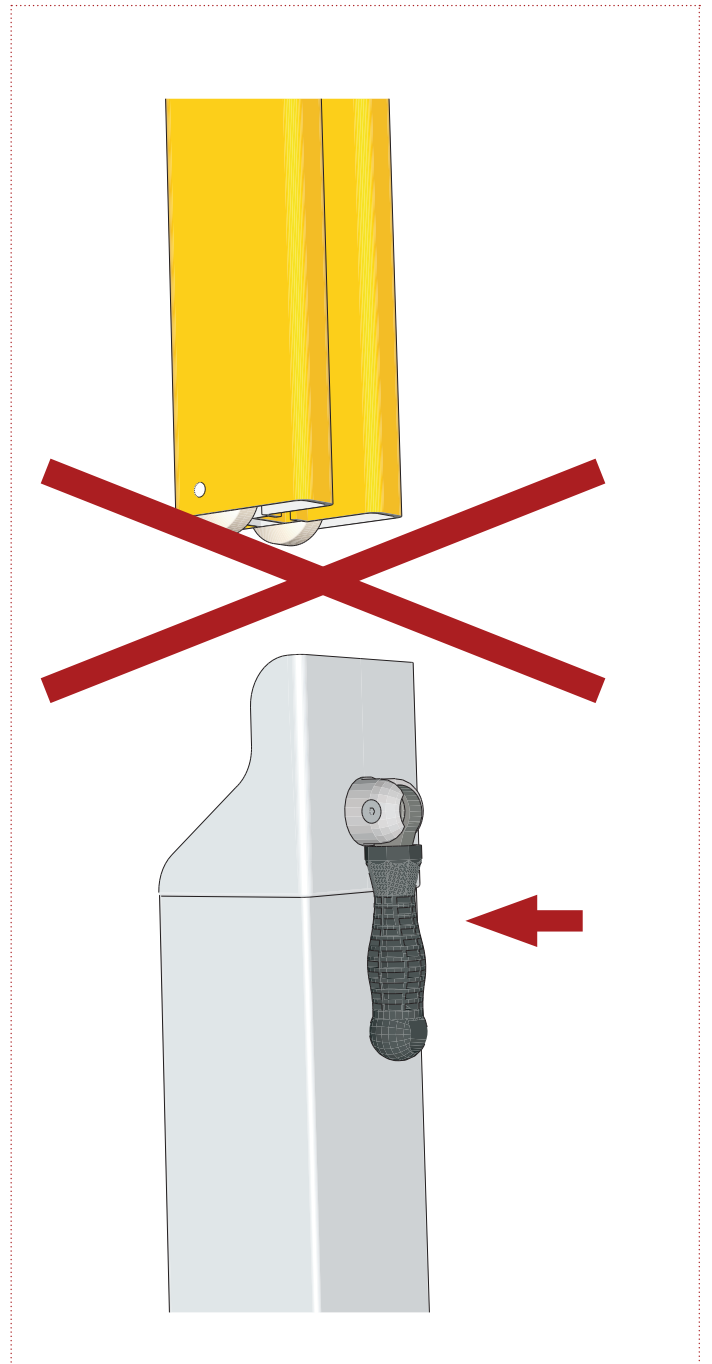
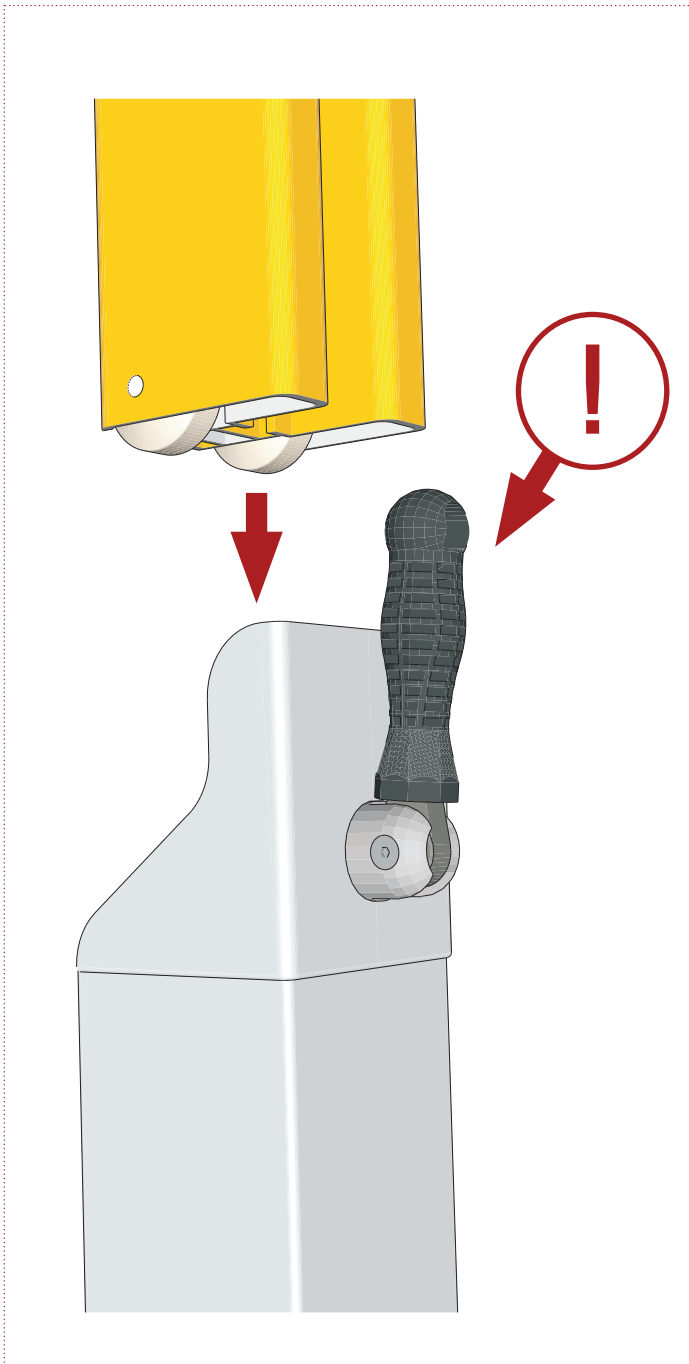
Pro Beach socket, removable from suitable ground plate



2X

IMPORTANT NOTICE!

FOR ID: 111204

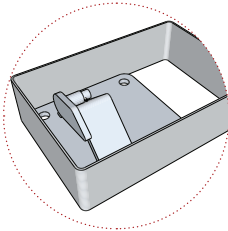


FLOOR MOUNTING OPTIONS AND REQUIRED ACCESSORIES

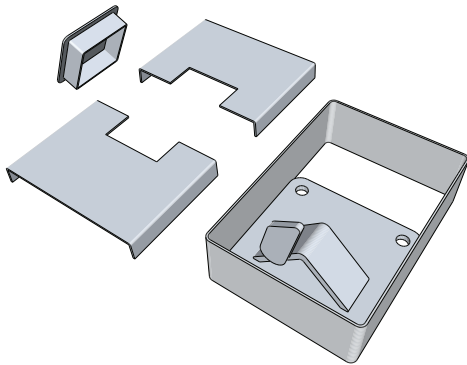
FOR ID: 111204



BOLT-DOWN INSTALLATION ON A CONCRETE FOUNDATION



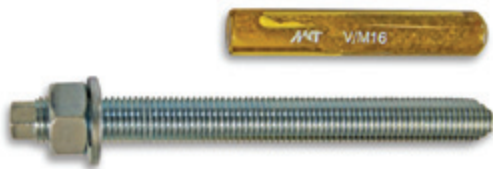
Switch bolt-down ground plate, incl. sand protection frame and a 3-piece steel cover lid, ID: 111219



2X



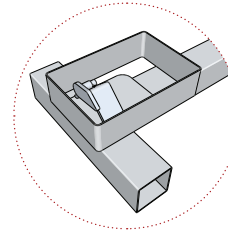
Steel ground anchor, with mortar cartridge, ID: 111213



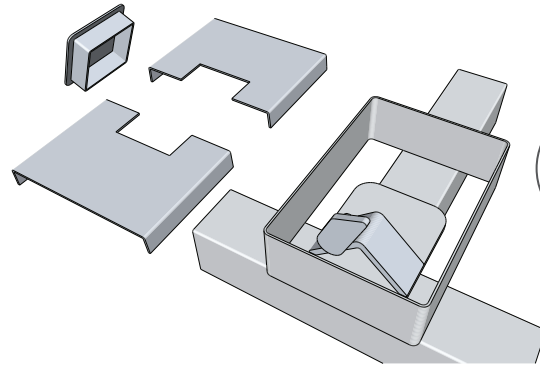
8X



FREESTANDING WITH SQUARE TIMBERS



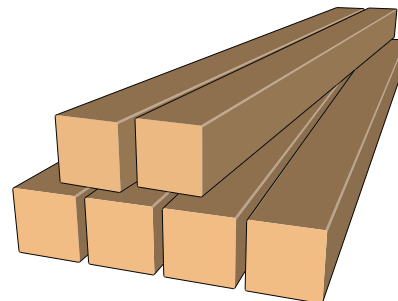
Switch ground plate with T-base, incl. sand protection frame and a 3-piece steel cover lid, ID: 111220



2X



Square timber set ID: 111232



1X



OPTION: BOLT-DOWN ON A CONCRETE FOUNDATION

FOR ID: 111204



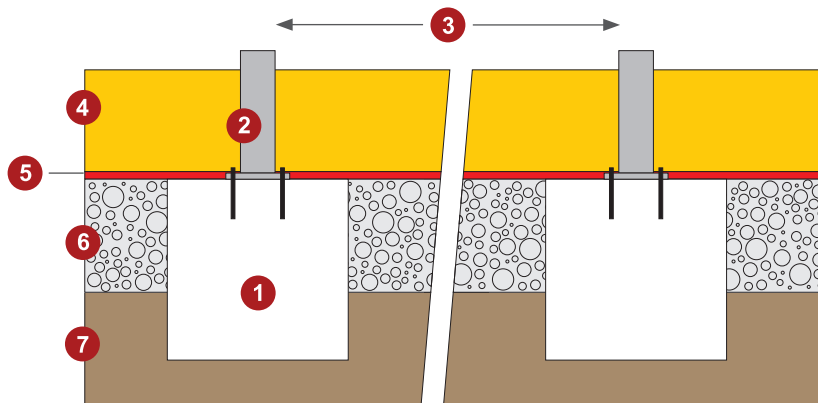
General information on building a Beach Volleyball court with bolt-down socket:

We consider a permanent sand level of 40-50 cm as ideal. It is recommended to fill up the sand a little bit higher at the centres of the playing field halves. It will be moved away towards the court surrounds by the players. Please make sure to create a minimum sand level of 30 cm around the ground sockets for this installation option.

Example: Approximately 250 tons sand are required for a sand court with 14 x 22 m dimensions (for leisure sports) and a sand level of approximately 45 cm. Calculation: volume in m³ x density factor (e.g.: 1,8 - depending on the grain size and the sand quality).

MINIMUM SAND LEVEL: 30 CM

Create foundations with a closed surface,
Distance (clear span between sockets): 10 m with a 8.5 m net, 11 m with a 9.5 m net



Description

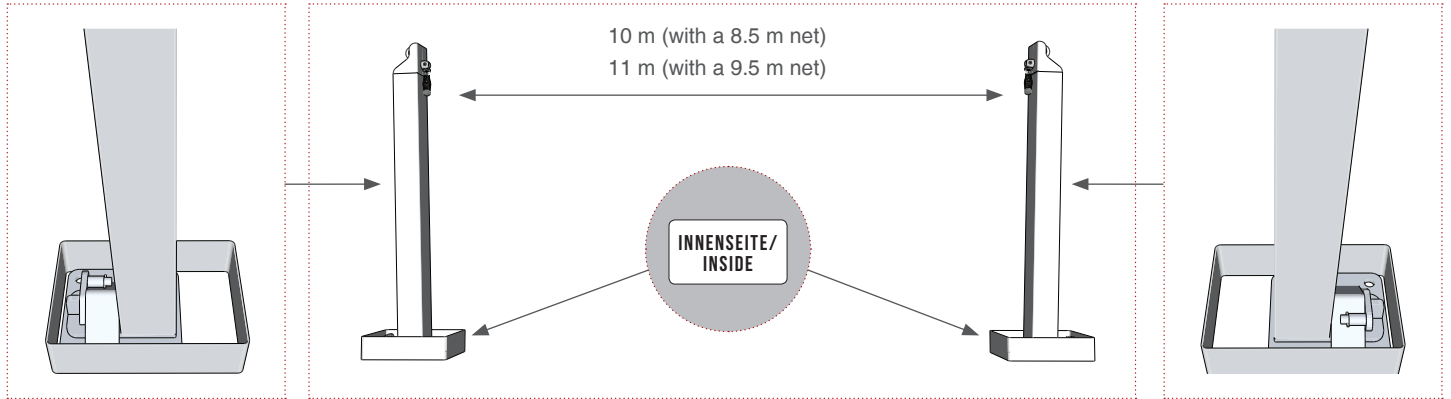
- | | |
|---|--|
| 1 | Foundation, Dimensions: 80 x 80 x 80 cm, class C25/30, built-in welded wire fabric (Q188A) |
| 2 | Ground socket, bolted down on the concrete foundation |
| 3 | Distance (clear span): 10 m (with a 8.5 m net), 11 m (with a 9.5 m net) |
| 4 | Sand (minimum sand level: check red marking) |
| 5 | Drainage matting/geomembrane |
| 6 | Drainage/base layer, 50 cm approx. |
| 7 | Soil |

OPTION: BOLT-DOWN ON A CONCRETE FOUNDATION

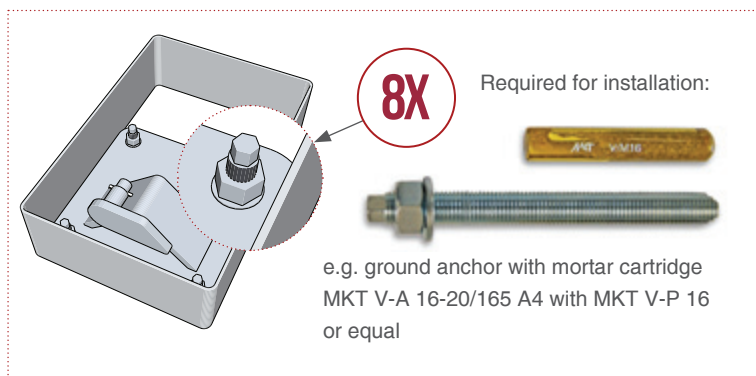
FOR ID: 111204



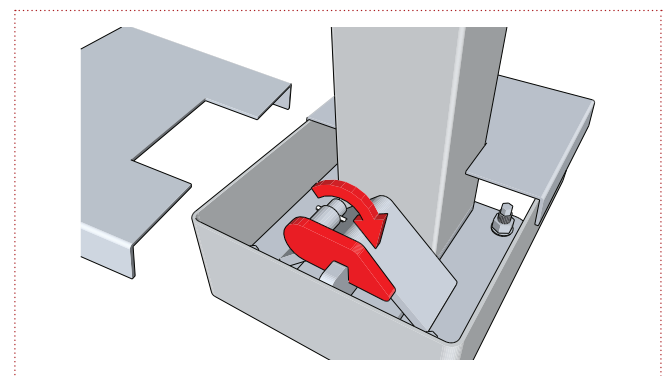
Distance and orientation of ground plates



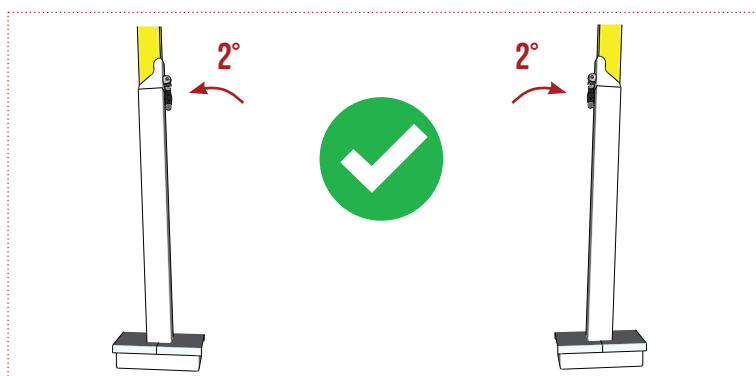
Screw down the ground plates onto the foundation



Close safety trap and install lid cover



The sockets are designed with a 2° sloping angle to the outwards



OPTION: FREESTANDING WITH SQUARE TIMBERS

FOR ID: 111204



General information on building a Beach Volleyball court with City Beach ground plates:

When building a sand court we suggest to fill up the sand first of all. Afterwards you can just dig in the City Beach ground sockets and set up the net system.

We consider a permanent sand level of 40-50 cm as ideal. It is recommended to fill up the sand a little bit higher at the centres of the playing field halves. It will be moved away towards the court surrounds by the players. Please make sure to create a minimum sand level of 40 cm around the ground sockets for this installation option.

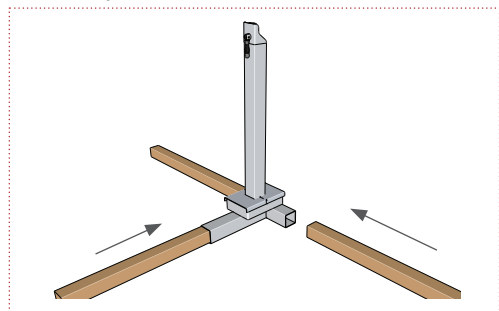
Example: Approximately 250 tons sand are required for a sand court with 14 x 22 m dimensions (for leisure sports) and a sand level of approximately 45 cm. Calculation: volume in m³ x density factor (e.g.: 1,8 - depending on the grain size and the sand quality).

MINIMUM SAND LEVEL: 40 CM

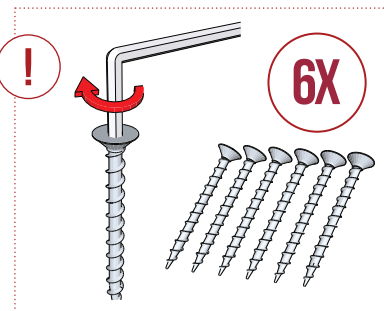
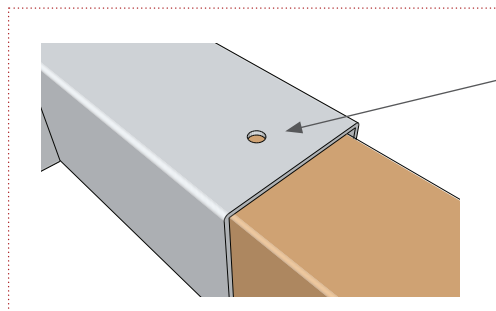
Required for assembly:

Pressure-treated square timbers, 6 pieces, each 1500 x 88 x 88 mm (maximum dimensions: 1500 x 90 x 90 mm), suitable for permanent ground contact

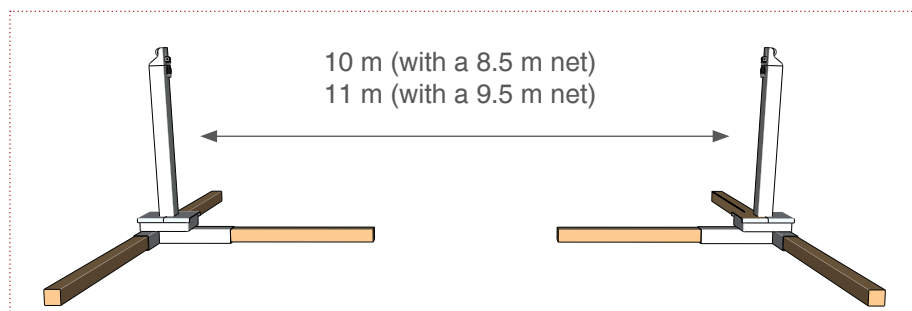
Insert square timbers into T-base



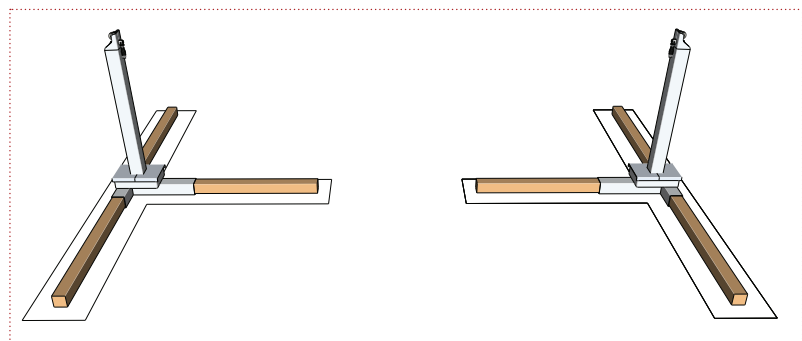
Secure with suitable screws



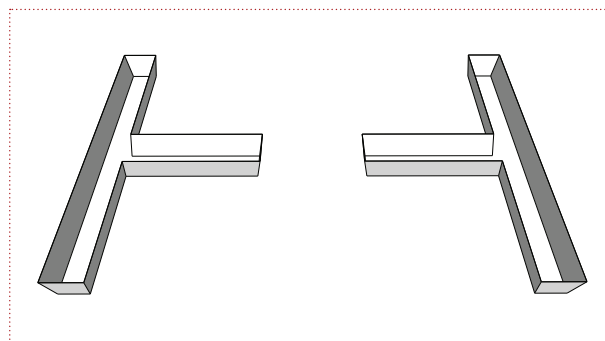
Set into position: ground sockets together with inserted square timbers



Mark the outline of the square timbers



Make excavations according to outlines

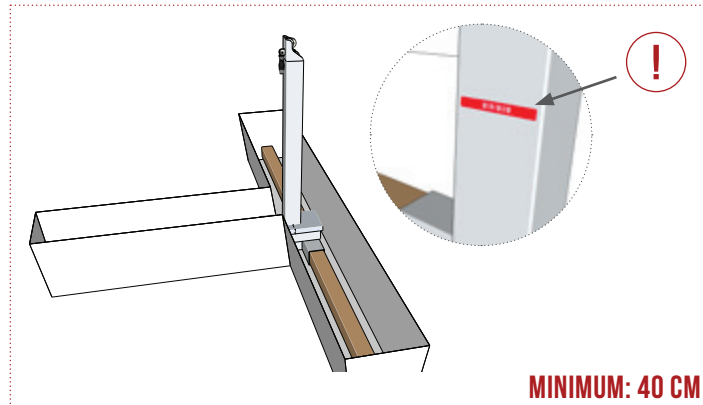


OPTION: FREESTANDING WITH SQUARE TIMBERS

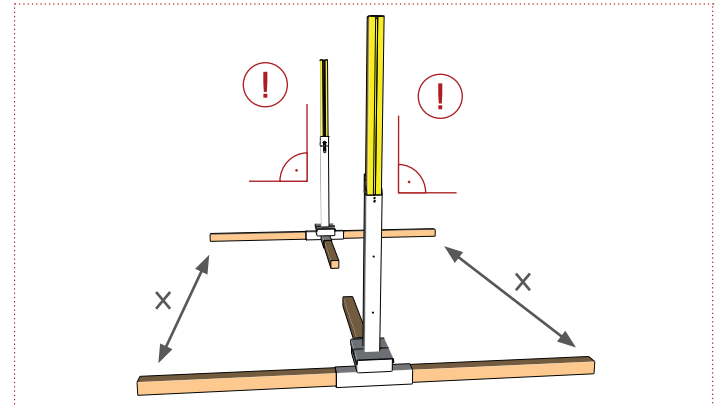
FOR ID: 11204



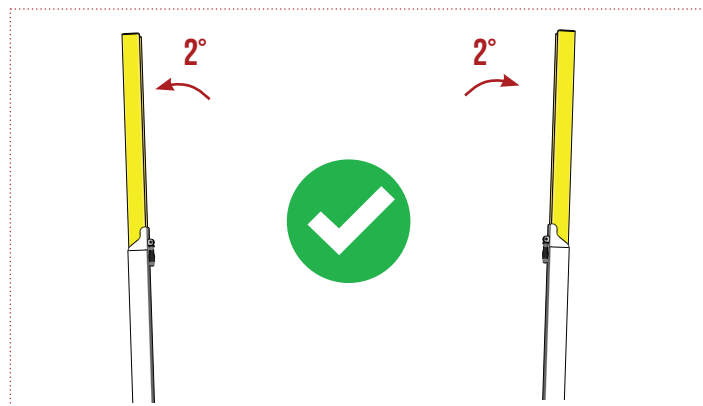
Set ground sockets with timbers into excavation; be careful not to step onto the borders of the excavation



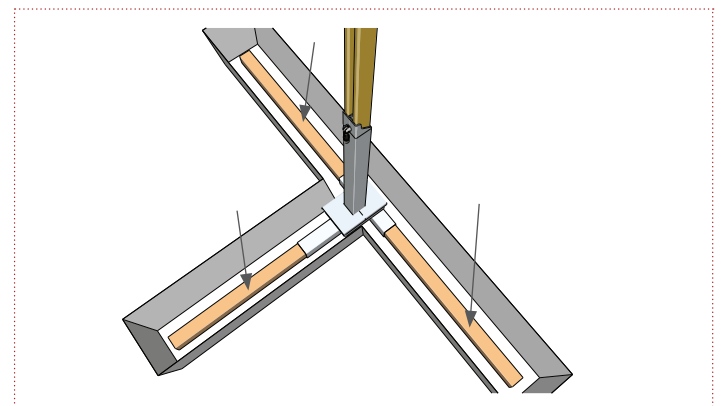
Align the sockets with each other - inserting the net poles will be helpful



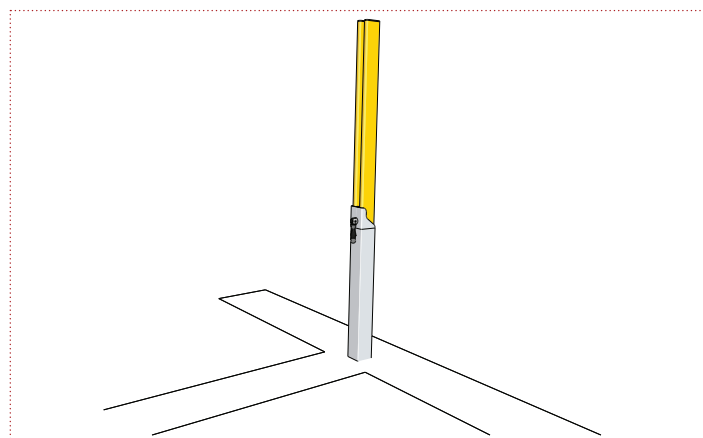
The sockets are designed with a 2° sloping angle to the outwards



Step on the timbers to press them firmly into the sand



Fill up the excavation
(Be careful not to move the timbers when doing this!)



ACCESSORIES (SOLD SEPARATELY)

FOR ID: 111204



Pro Beach net PLUS, incl. net antennas PLUS
(2-piece, with velcro strap pockets), ID: 111601



1X

Pro Beach Courtline
ID: 111304



1X

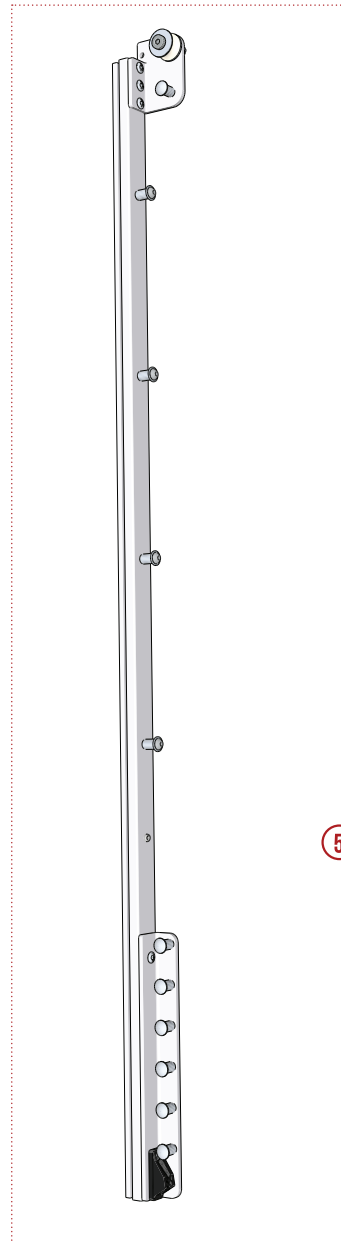
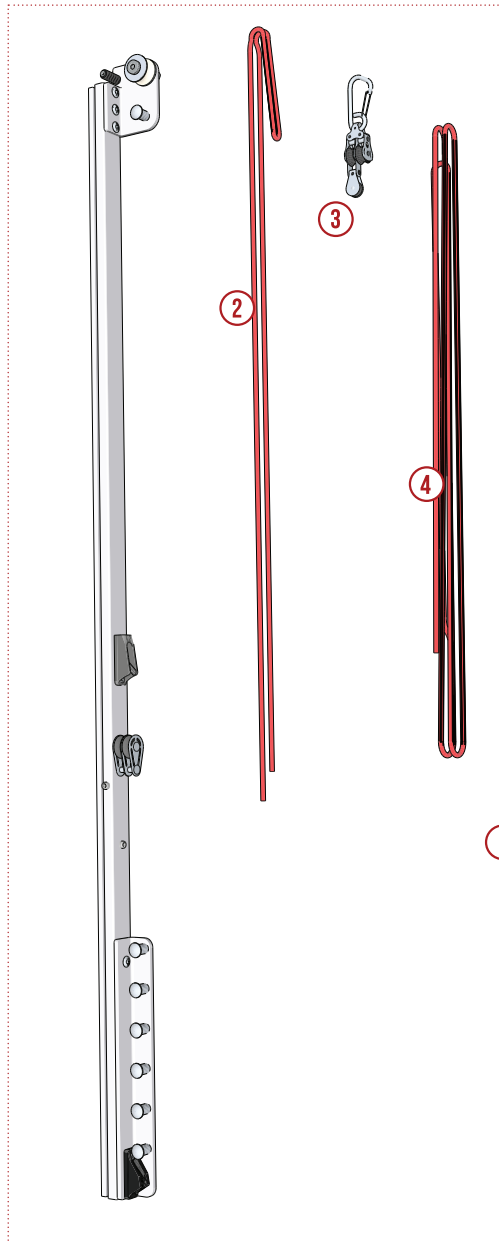
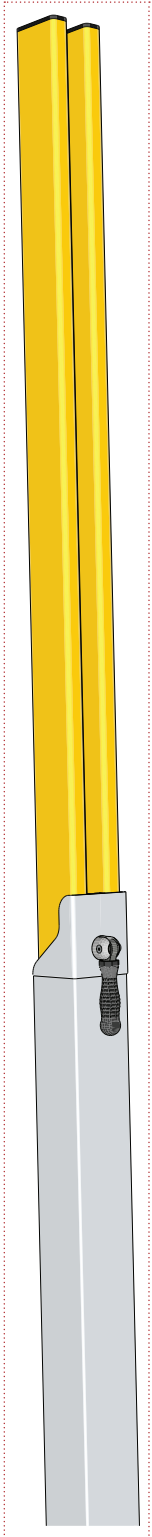
Square-cut Beach Volley post pads (100 x 100 mm),
1 pair, ID: 111353



1X

BEACH VOLLEYBALL POSTS PRO BEACH

SPARE PARTS



No.	Description	ID
1	Tackle tensioning slider for Pro Beach posts	206-200
2	Elastic cord, 8 mm diameter, colour: red	206-215
3	Top-block with stainless steel carabiner	206-217
4	Tackle tensioning cord, made from Polyester	206-218
5	Tensioning counter slider for Pro Beach posts	206-300

BEACH VOLLEYBALL POSTS PRO BEACH

EC DECLARATION OF CONFORMITY

According to the EU Machinery Directive 2006/42/EG, Annex I

we declare that the below described machines fulfil all relevant provisions of the EU Machinery Directive 2006/42/EG, Annex I. This declaration of EC conformity will become void if the machine is subject to any modification that has not been approved by us.

Manufacturer:

FUNTEC Sports GmbH
Löhestr. 25
53773 Hennef
GERMANY

Description and identification of the machine:

- Function: This machine is a Volleyball net post system for outdoor use. The main net post is being supplied together with a specially designed socket adapter that allows the post to slide up and down once the post has been inserted into the socket. The socket is equipped with an elastic cord that is set under tension by the weight of the net post.
- Model: 111206 – Beach Volleyball posts Pro Beach (CB = City Beach), with freestanding sockets (for use with square timbers)
- Model: 111205 – Beach Volleyball posts Pro Beach (BD = Bolt Down), with bolt-down sockets (for an installation on a concrete foundation)
- Model: 111204 – Beach Volleyball posts Pro Beach (S = Switch), with removable sockets

Applied harmonized standards:

- DIN 33957: Playing field equipment - Beach sports equipment - Requirements and test methods
- DIN EN 1271: Playing field equipment - Volleyball equipment - Functional and safety requirements, test methods; German version EN 1271:2014

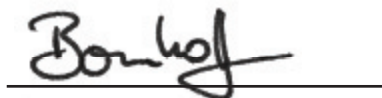
Authorised representative for technical documentation:

Gregor Bornhoff – FUNTEC Sports GmbH, Löhestr. 25, 53773 Hennef

City/Date:

Hennef, 03.04.2016

Authorised representative:



Gregor Bornhoff (authorised representative)

FUNTEC

www.funtec.de