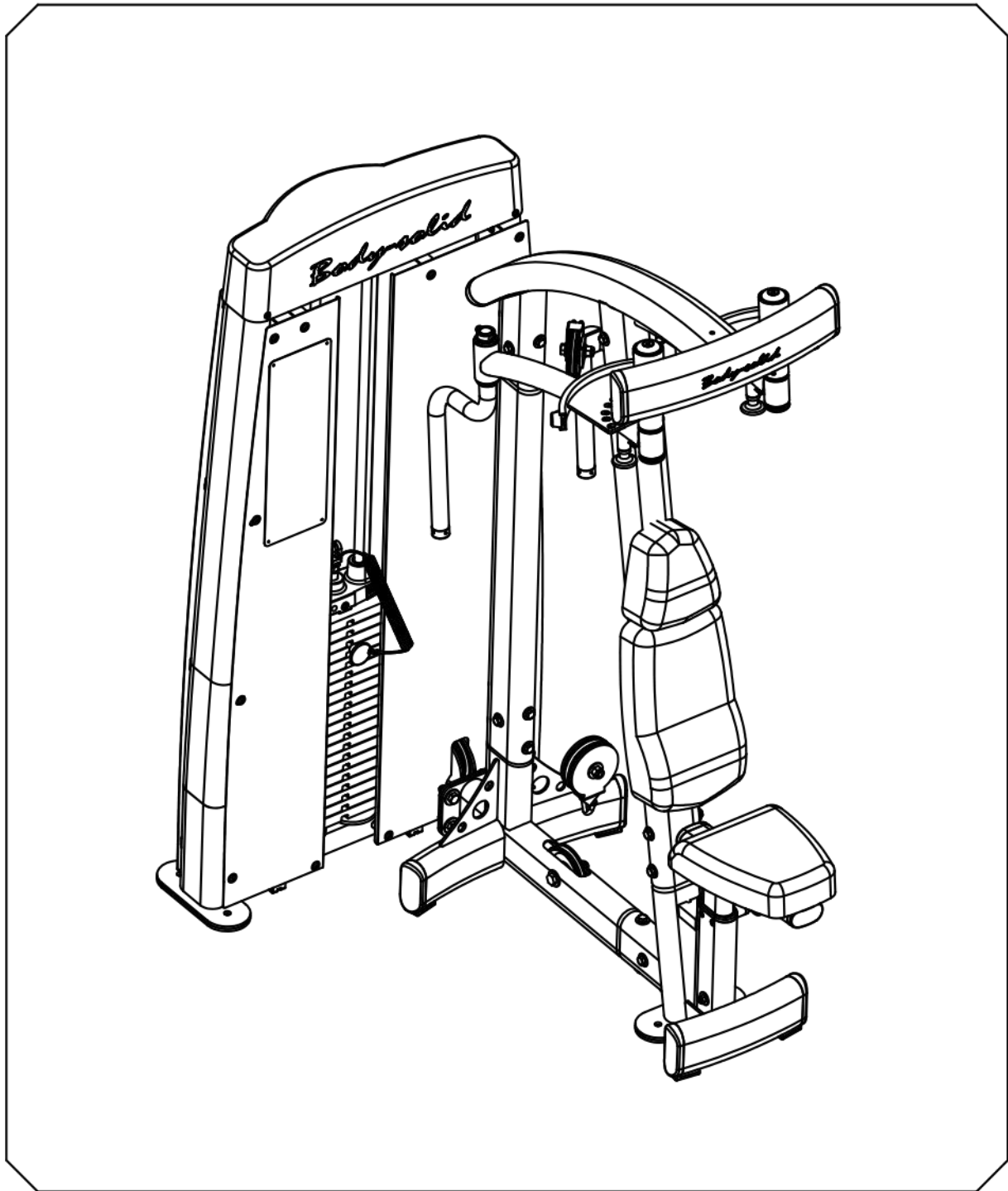


Body-Solid

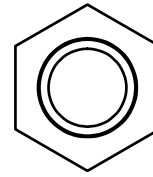
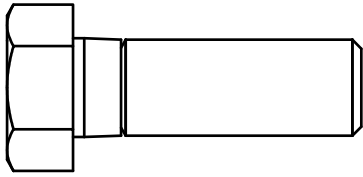


Sport-Thieme GmbH
Helmstedter Straße 40
38368 Grasleben
Telefon: +49 (0) 5357 181-81
Fax: +49 (0) 5357 181 90
info@sport-thieme.de
www.sport-thieme.de

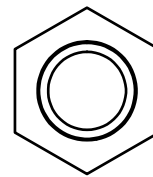
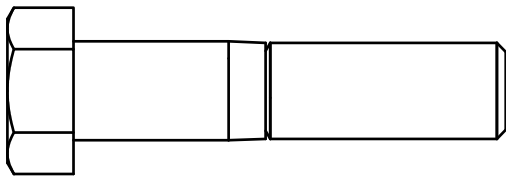
DPEC.1 OWNER'S MANUAL

DPEC ASSEMBLY INSTRUCTIONS

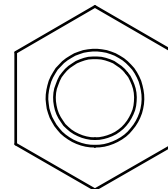
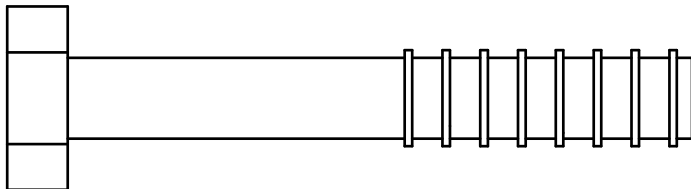
HARDWARE ILLUSTRATION



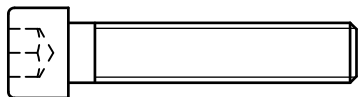
(A1)HEX BOLT 1/2"x1 1/2"L PARTIAL THREAD QTY.4



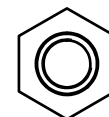
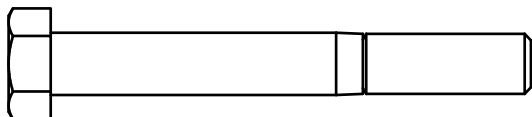
(A2)HEX BOLT 1/2"x2 1/4"L PARTIAL THREAD QTY.1



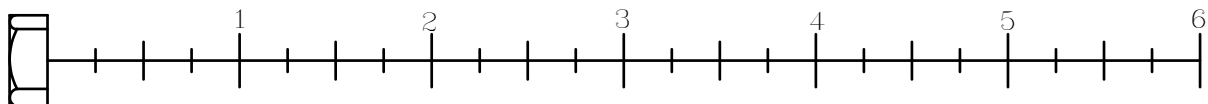
(A3)HEX BOLT 1/2"x3 1/4"L PARTIAL THREAD QTY.1



(A4)ROUND ALLEN HEAD 5/16"x1 1/2"L PARTIAL THREAD QTY.2

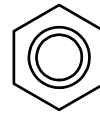
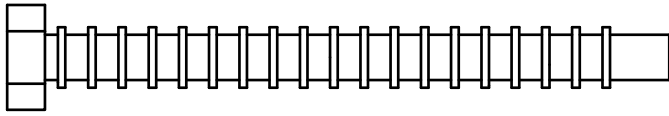


(A5)HEX BOLT 5/16"x2 1/2"L PARTIAL THREAD QTY.2

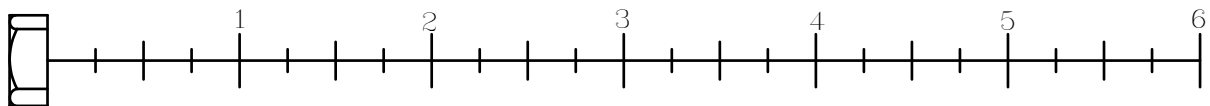


DPEC ASSEMBLY INSTRUCTIONS

HARDWARE ILLUSTRATION

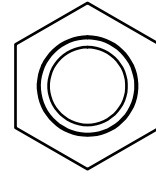
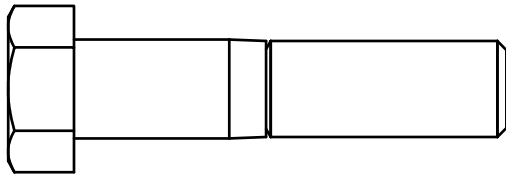


(A6)HEX BOLT 5/16"x3 1/4"L PARTIAL THREAD QTY.4

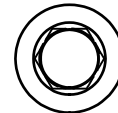
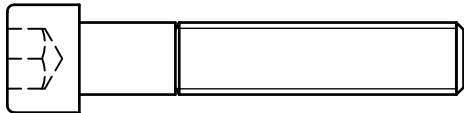


DPEC ASSEMBLY INSTRUCTIONS

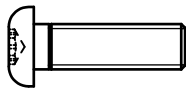
FRAME HARDWARE ILLUSTRATION



(A8)HEX BOLT 1/2"x2 1/4"L PARTIAL THREAD QTY.3

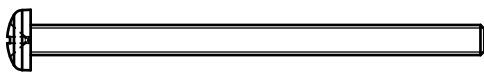


(A10)ROUND ALLEN HEAD 3/8"X2"L PARTIAL THREAD QTY.1

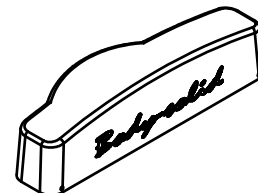


(A11)ROUND ALLEN HEAD M6X20L PARTIAL THREAD QTY.20

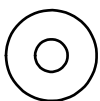
Optional Purchase



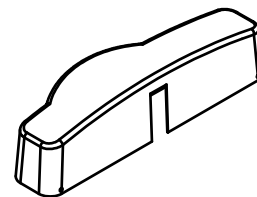
(A9)HEX BOLT M4X65L PARTIAL THREAD QTY.2



TOP CAP(9211-111)

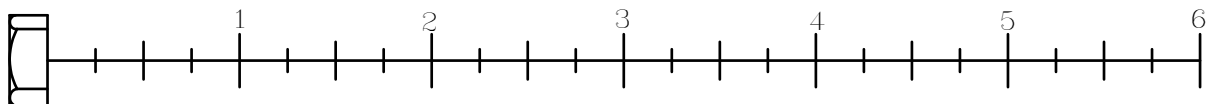


(C8)M4(I.D.)FLAT WASHER Ø12 QTY.2



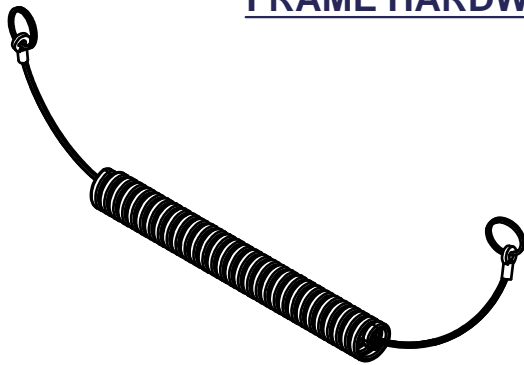
TOP CAP(9211-119)

"M4X65 ROUND BOLT" and "M4 WASHER" is used to assemble with 9211-111 and 9211-119 TOP CAP

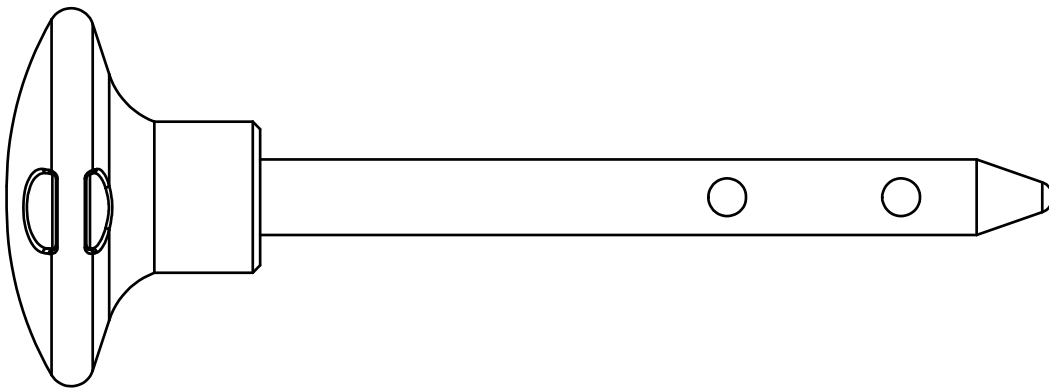


DPEC ASSEMBLY INSTRUCTIONS

FRAME HARDWARE ILLUSTRATION



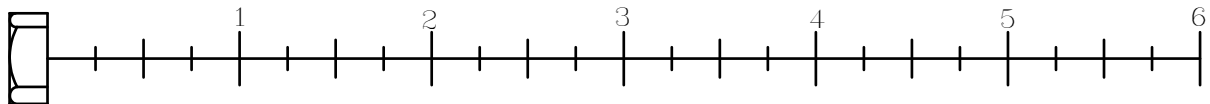
(A12)ELASTIC BOLT QTY.1



(A13)10LB PIN (8250-071) QTY.1

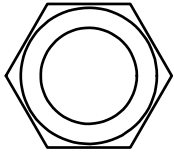


(A15)ROUND ALLEN HEAD 5/32"x1/4"L PARTIAL THREAD QTY.4

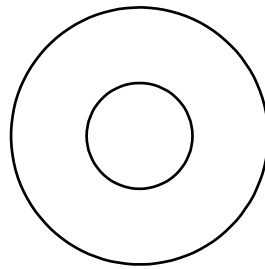
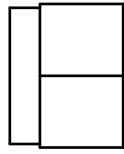


DPEC ASSEMBLY INSTRUCTIONS

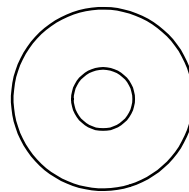
HARDWARE ILLUSTRATION



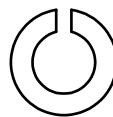
(B1) NYLON LOCK NUT 1/2" QTY.6



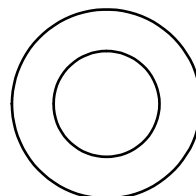
(C1) 1/2" (I.D.) FLAT WASHER Ø34 QTY.4



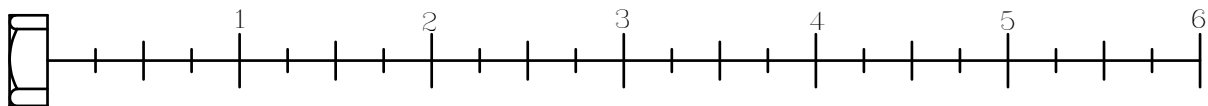
(C2) 5/16" (I.D.) FLAT WASHER Ø24 QTY.6



(C3) 5/16" SPRING WASHER QTY.6

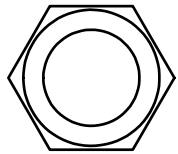


(C10) 1/2" (I.D.) FLAT WASHER Ø25 QTY.8

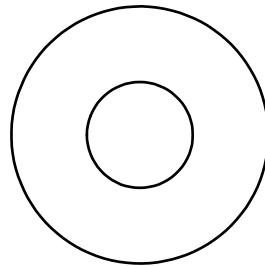
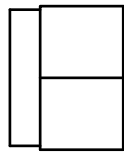


DPEC ASSEMBLY INSTRUCTIONS

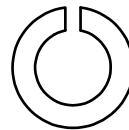
FRAME HARDWARE ILLUSTRATION



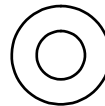
(B4) NYLON LOCK NUT 1/2" QTY.3



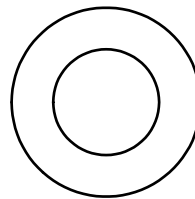
(C5) 1/2" (I.D.) FLAT WASHER Ø34 QTY.4



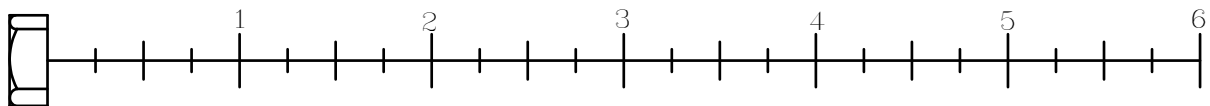
(C6) 3/8" SPRING WASHER QTY.1



(C7) M6 (I.D.) FLAT WASHER Ø13 QTY.20

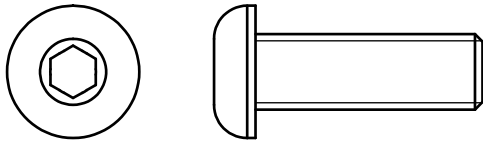


(C9) 1/2" (I.D.) FLAT WASHER Ø25 QTY.2

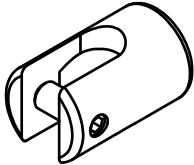


DPEC ASSEMBLY INSTRUCTIONS

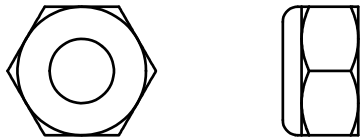
Selector Rod HARDWARE ILLUSTRATION



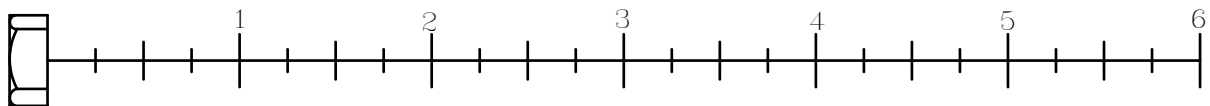
(A16)ROUND ALLEN HEAD M10X30L PARTIAL THREAD QTY.1



(A17)FIRM SHEATH(8890-046) QTY.1



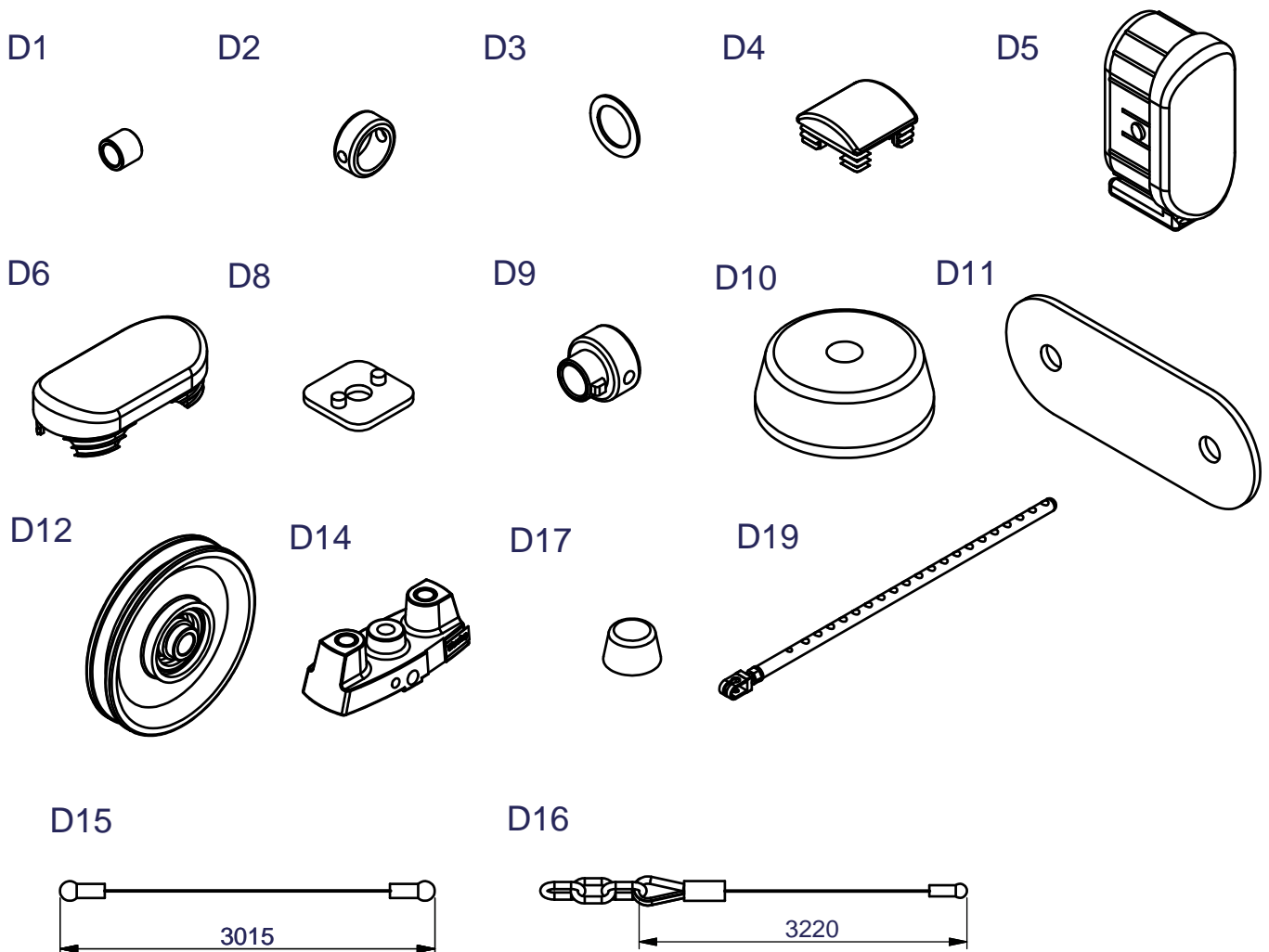
(B5)NYLON LOCK NUT M10 QTY.1



DPEC ASSEMBLY INSTRUCTIONS

HARDWARE ILLUSTRATION

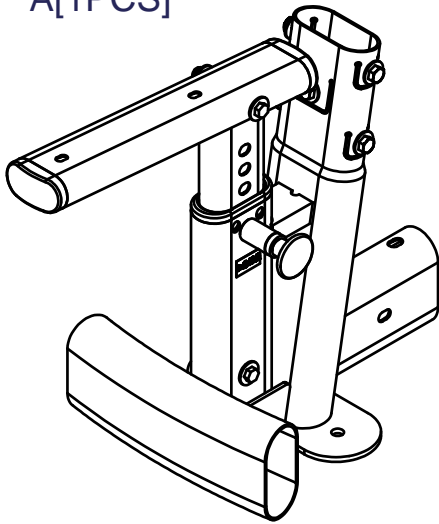
D1.Ø3/4"X16L STEEL BUSHING (8110-066)-----	[2PCS]
D2.Ø36XØ26.5X15L STEEL BUSHING (8130-160)-----	[2PCS]
D3.Ø1" CU WASHER (8520-008)-----	[6PCS]
D4.2"X2" END CAP (9211-087)-----	[1PCS]
D5.58X116X2.5T FOOT CAP(9211-108)-----	[4PCS]
D6.58X116 END CAP(9211-112)-----	[3PCS]
D8.2"X2" RUBBER CANE CAP(9214-002)-----	[1PCS]
D9.Ø3/4" SHAFT COLLAR(9211-046)-----	[2PCS]
D10.Ø4" RUBBER DOUNT(9310-017)-----	[2PCS]
D11.95X250 RUBBER PAD(9310-060)-----	[3PCS]
D12.Ø117 PULLEY(9213-010B)-----	[7PCS]
D14.TOP PLATE(8400-006)-----	[1PCS]
D15.3015mm STEEL CABLE(FDPECA)-----	[1PCS]
D16.3220mm STEEL CABLE(FDPECB)-----	[1PCS]
D17.1/2" BOLT CAP(9212-024)-----	[2PCS]
D18.DPEC For DGYM Steel Cable(FDPECC)-----	[1PCS]
D19.WEIGHT SELECTOR BAR(8210-042B)-----	[1PCS]



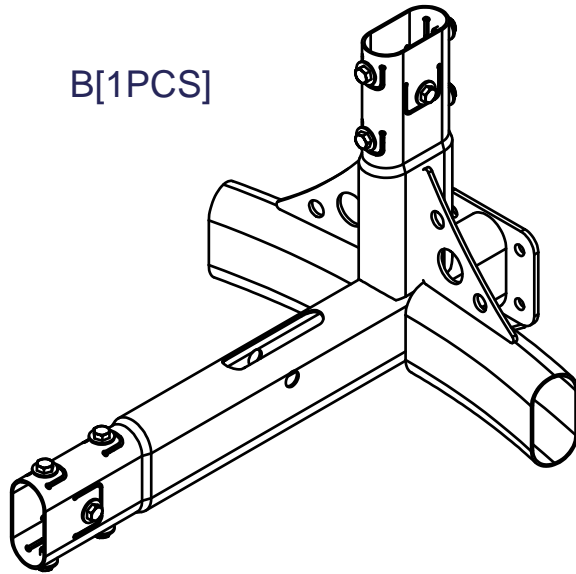
DPEC ASSEMBLY INSTRUCTIONS

PARTS ILLUSTRATION SHEET

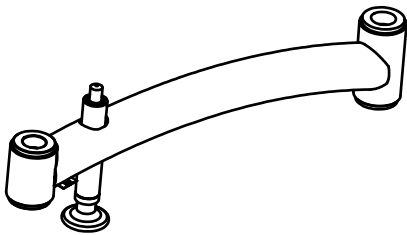
A[1PCS]



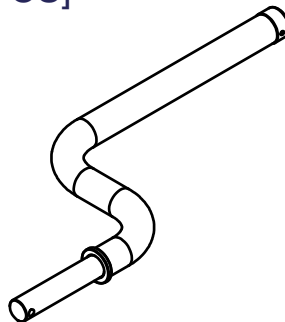
B[1PCS]



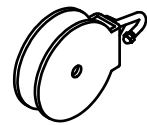
C[2PCS]



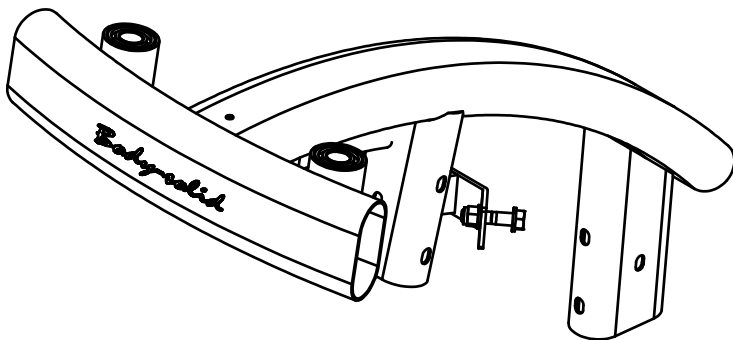
D[2PCS]



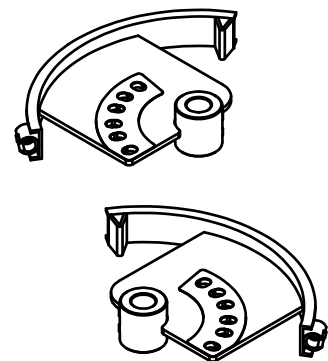
F[1PCS]



G[1PCS]



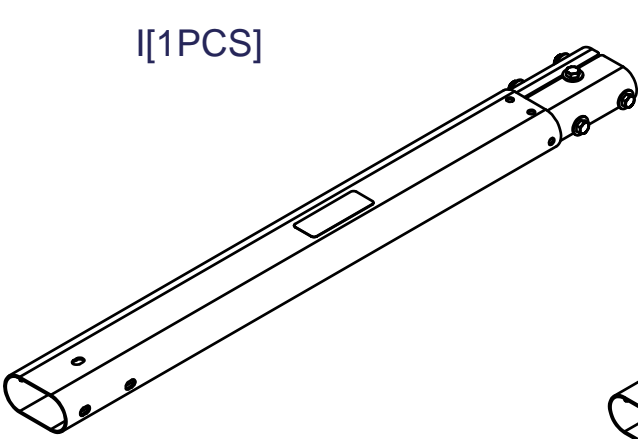
H[2PCS]



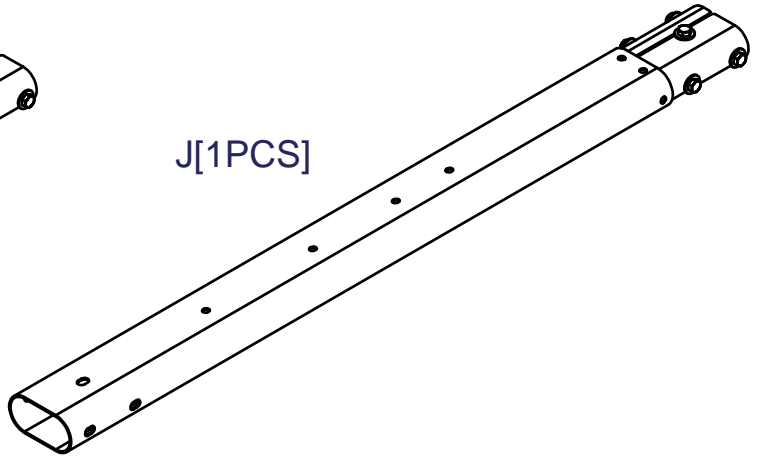
DPEC ASSEMBLY INSTRUCTIONS

PARTS ILLUSTRATION SHEET

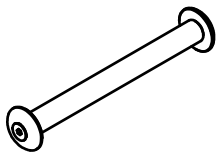
I[1PCS]



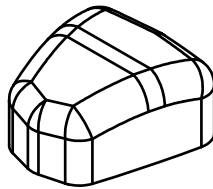
J[1PCS]



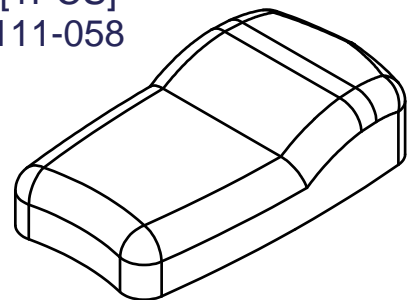
K[2PCS]
8220-135



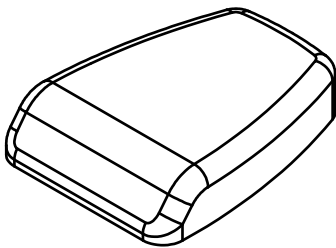
L[1PCS]
9111-057



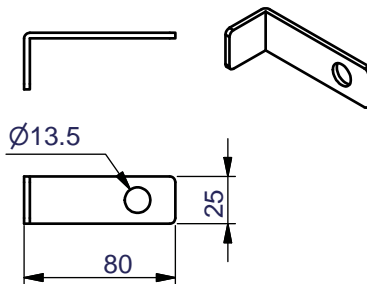
M[1PCS]
9111-058



N[1PCS]
9121-055



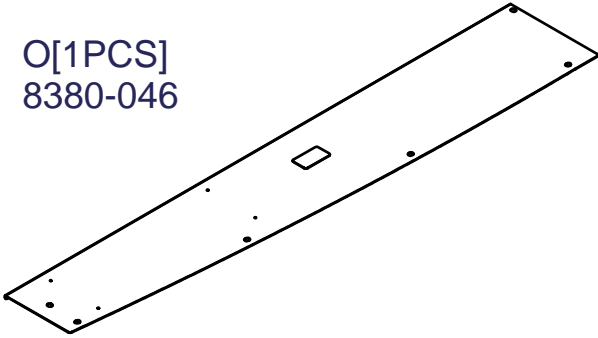
AA[2PCS]
8331-015



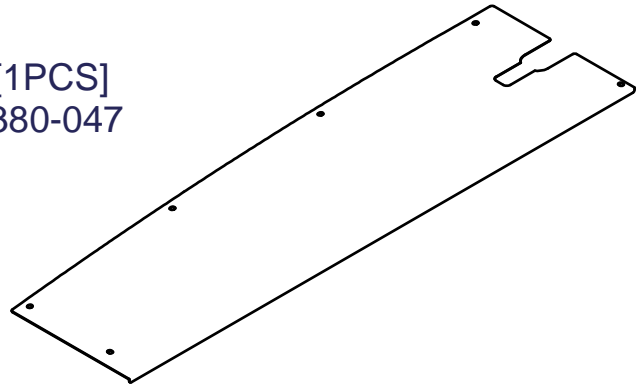
DPEC ASSEMBLY INSTRUCTIONS

FRAME PARTS ILLUSTRATION SHEET

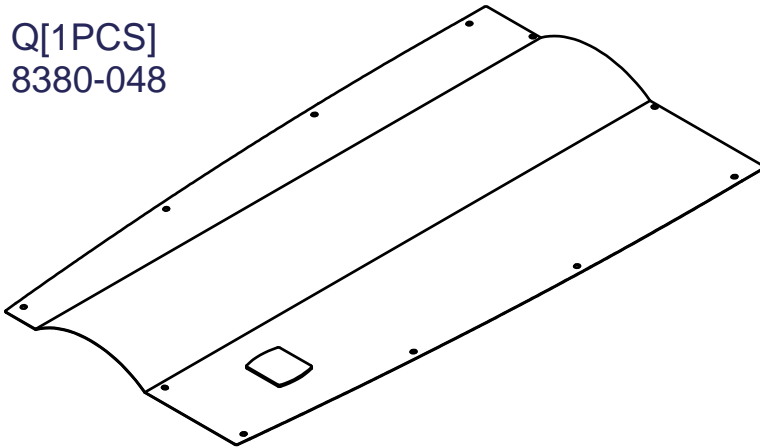
O[1PCS]
8380-046



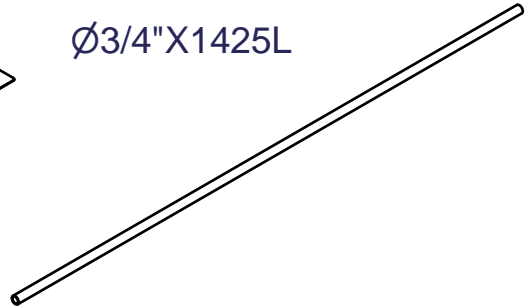
P[1PCS]
8380-047



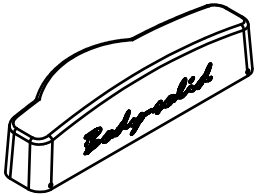
Q[1PCS]
8380-048



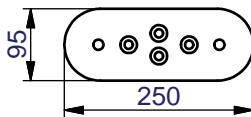
R[2PCS]
Ø3/4"X1425L



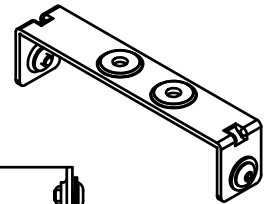
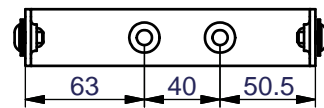
Z[1PCS]
9211-111A



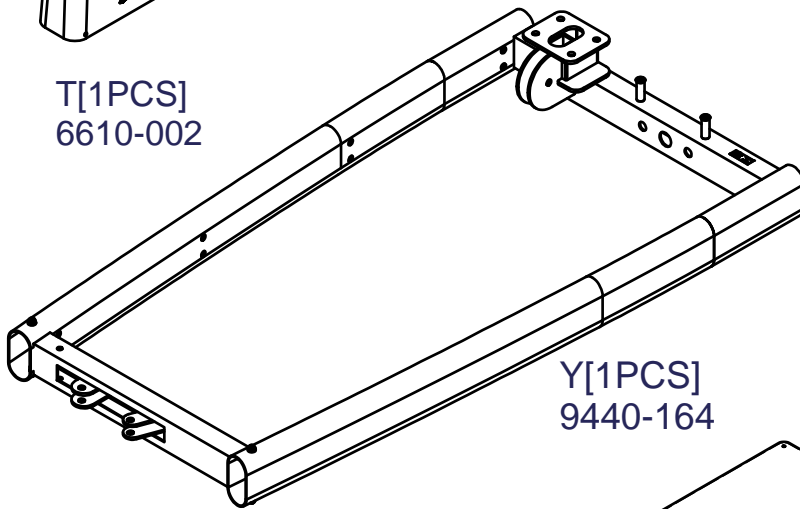
U[2PCS]
8313-144



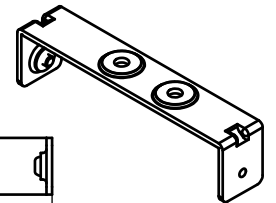
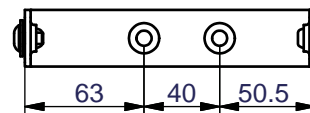
V[9PCS]
8321-040
both side



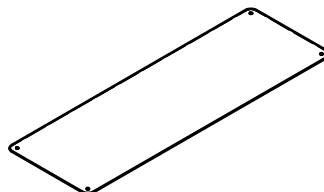
T[1PCS]
6610-002



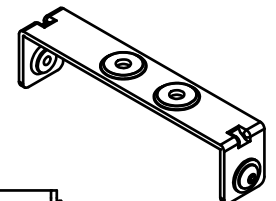
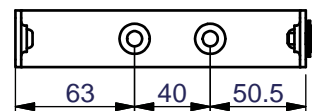
W[1PCS]
8321-040
one side



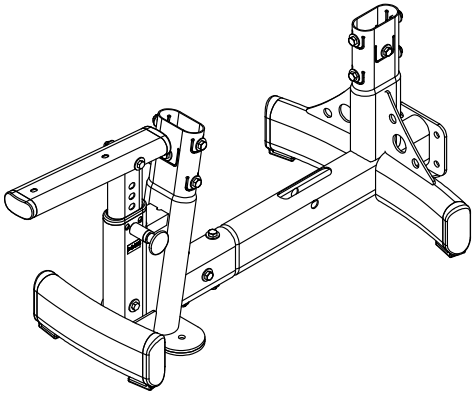
Y[1PCS]
9440-164



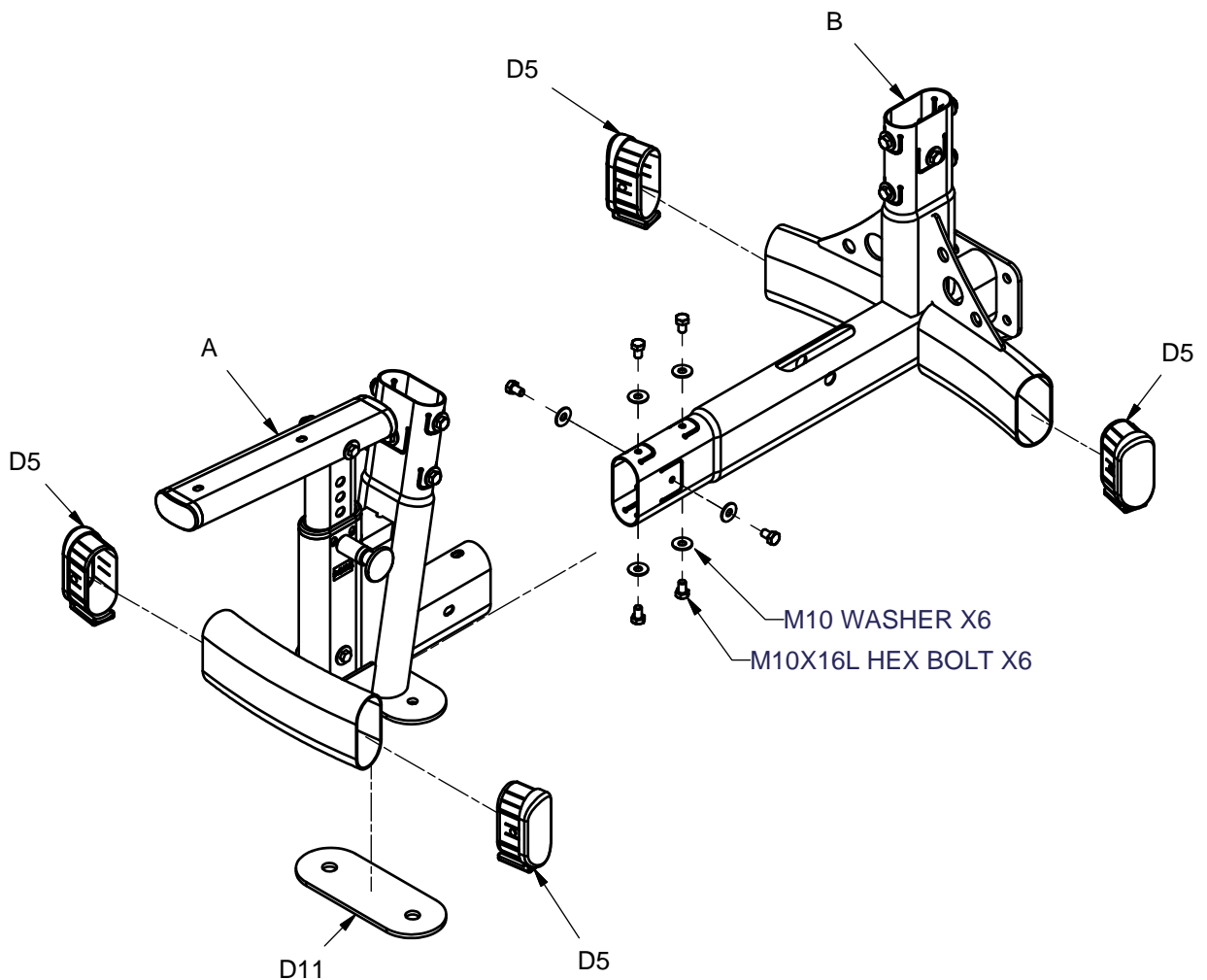
X[2PCS]
8321-040
one side



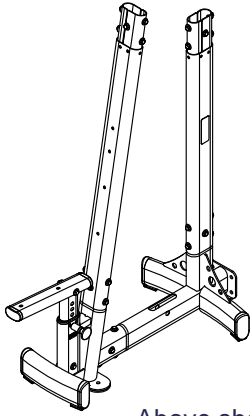
DPEC ASSEMBLY INSTRUCTIONS



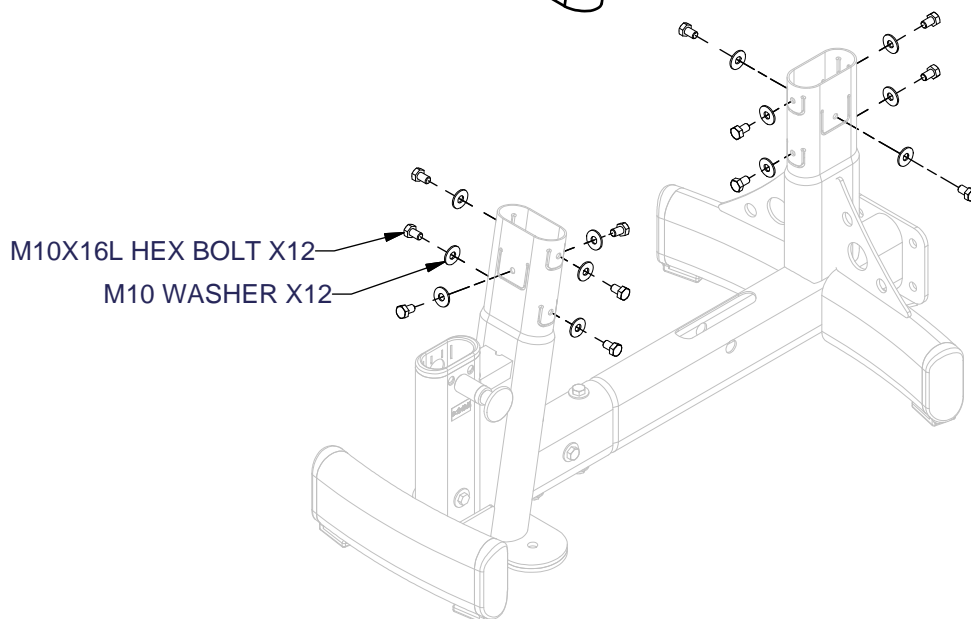
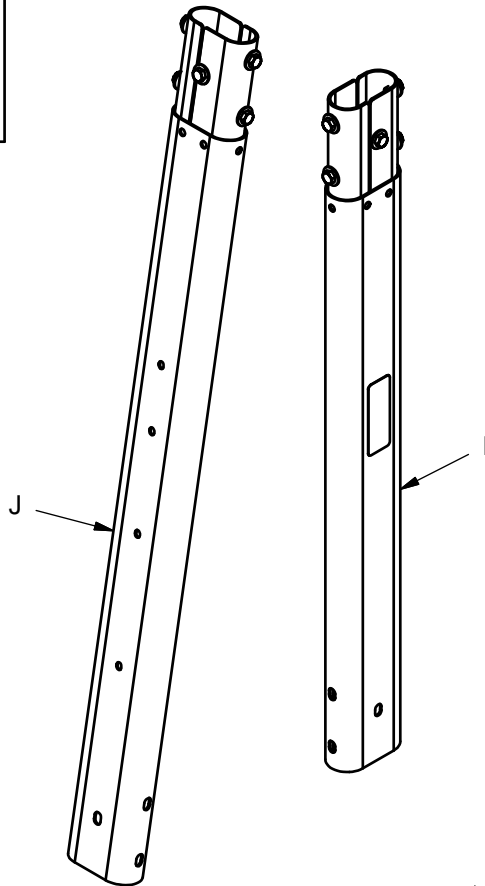
Above shows STEP 1
assembled and completed



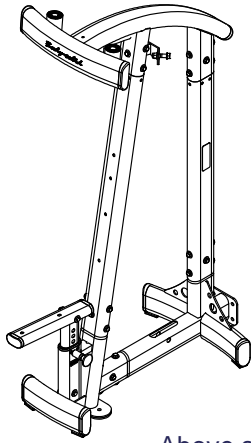
DPEC ASSEMBLY INSTRUCTIONS



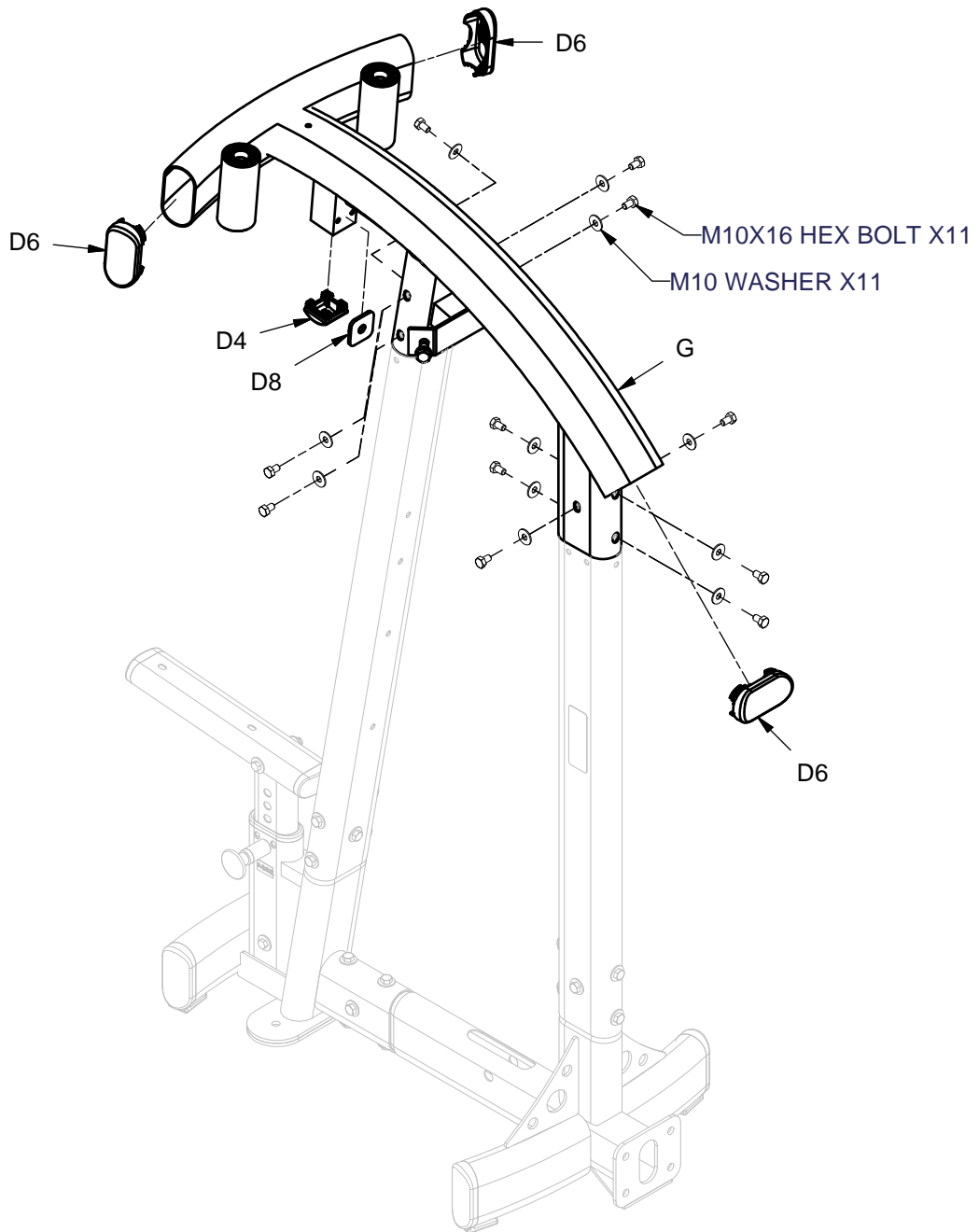
Above shows STEP 2
assembled and completed



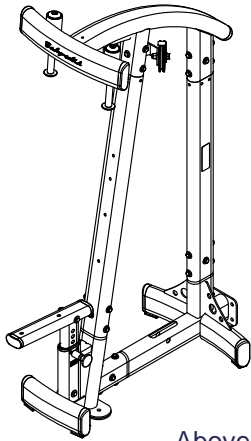
DPEC ASSEMBLY INSTRUCTIONS



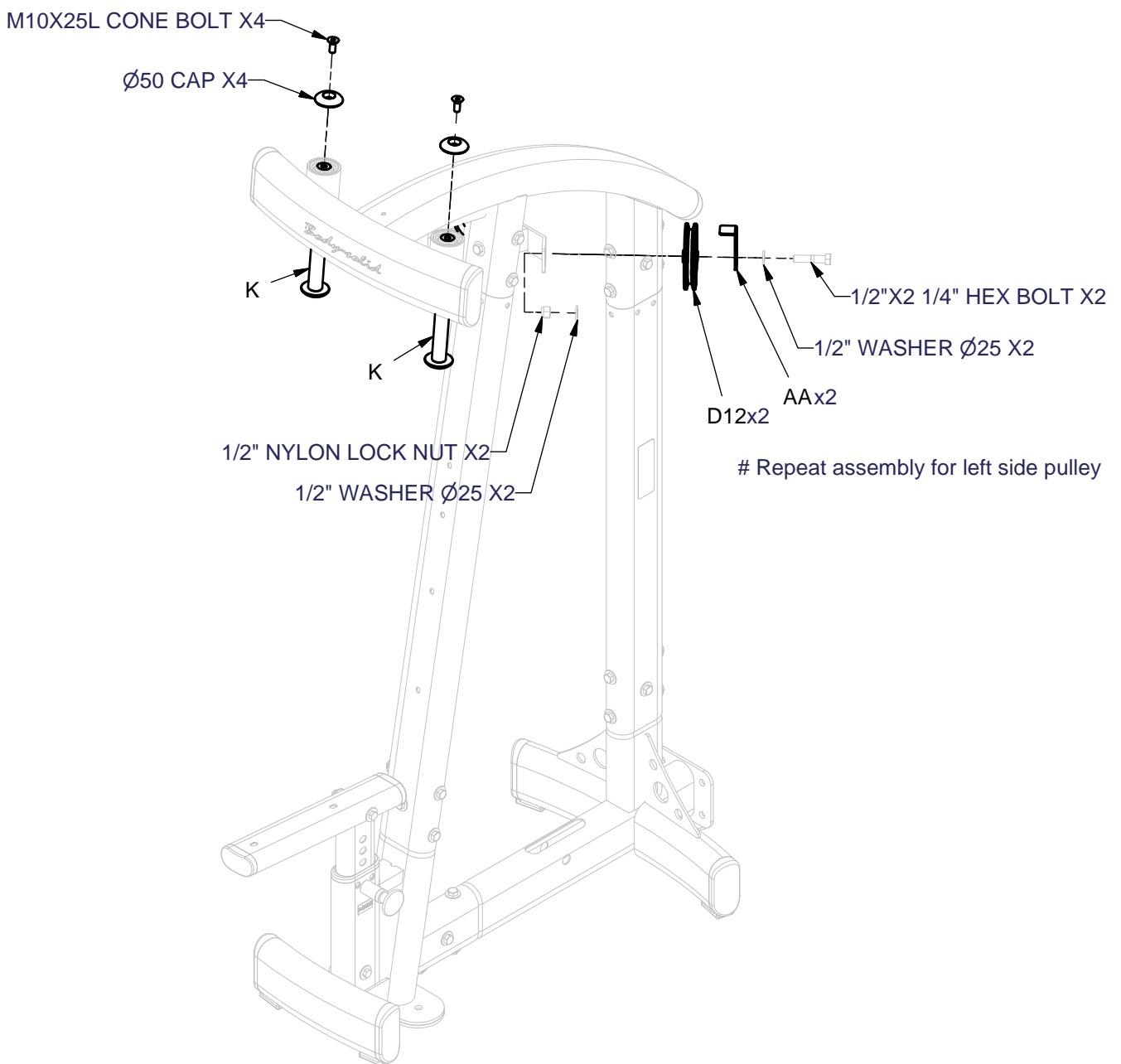
Above shows STEP 3
assembled and completed



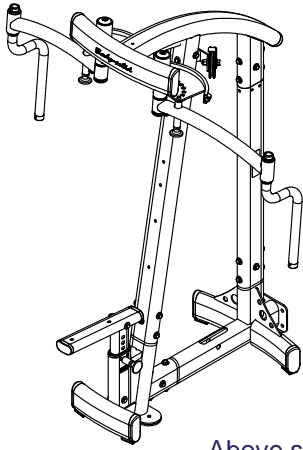
DPEC ASSEMBLY INSTRUCTIONS



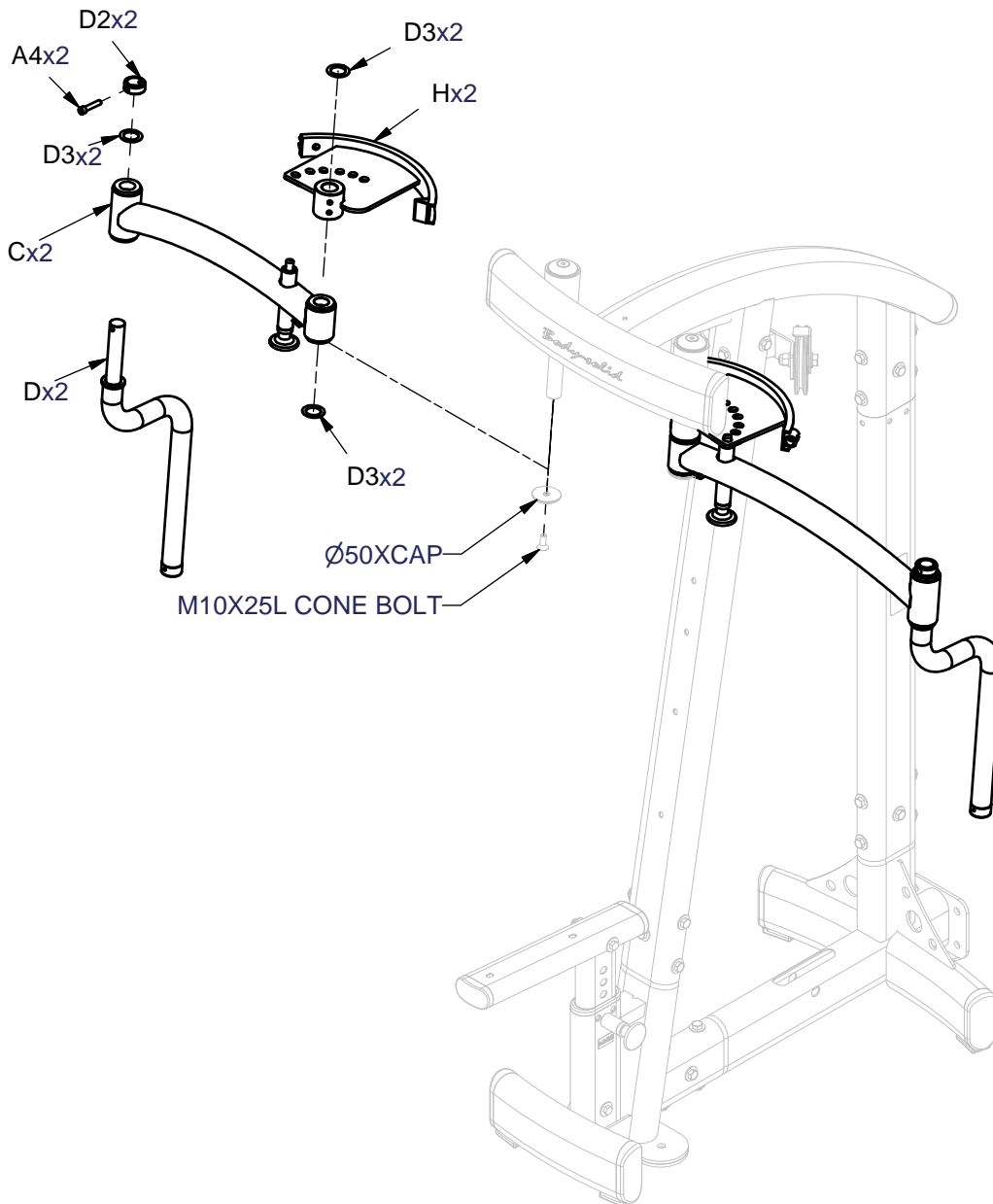
Above shows STEP 4
assembled and completed



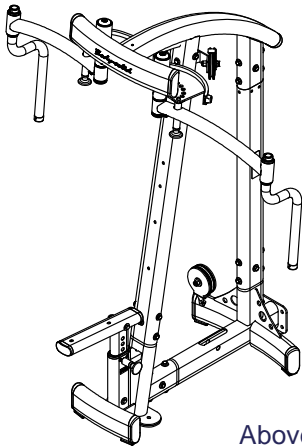
DPEC ASSEMBLY INSTRUCTIONS



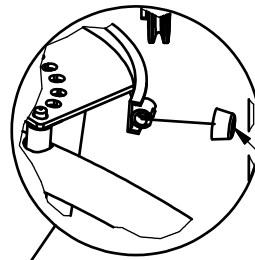
Above shows STEP 5
assembled and completed



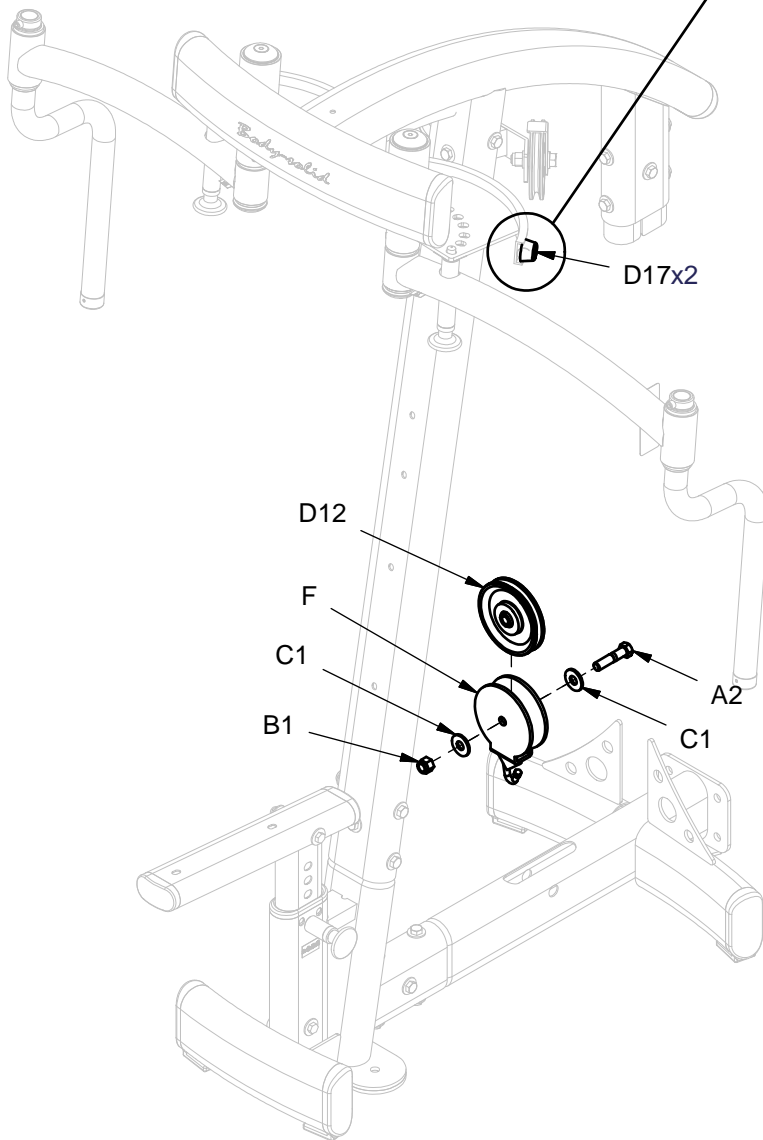
DPEC ASSEMBLY INSTRUCTIONS



Above shows STEP 6
assembled and completed



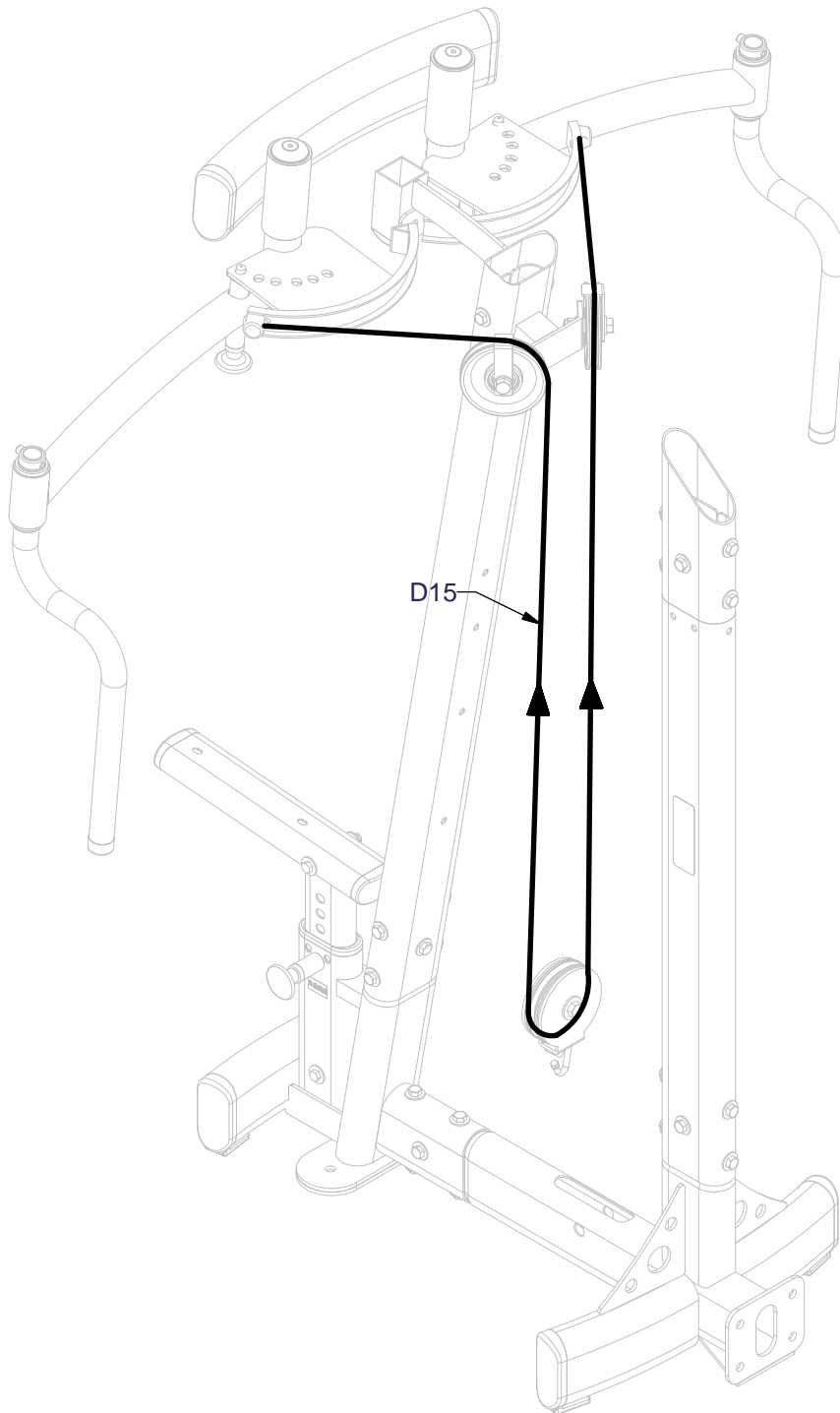
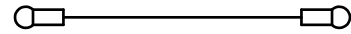
Press cap over
cable end holder



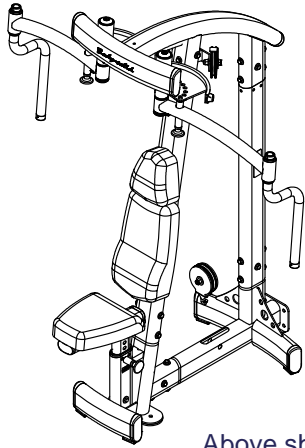
DPEC ASSEMBLY INSTRUCTIONS

Cable to match illustration

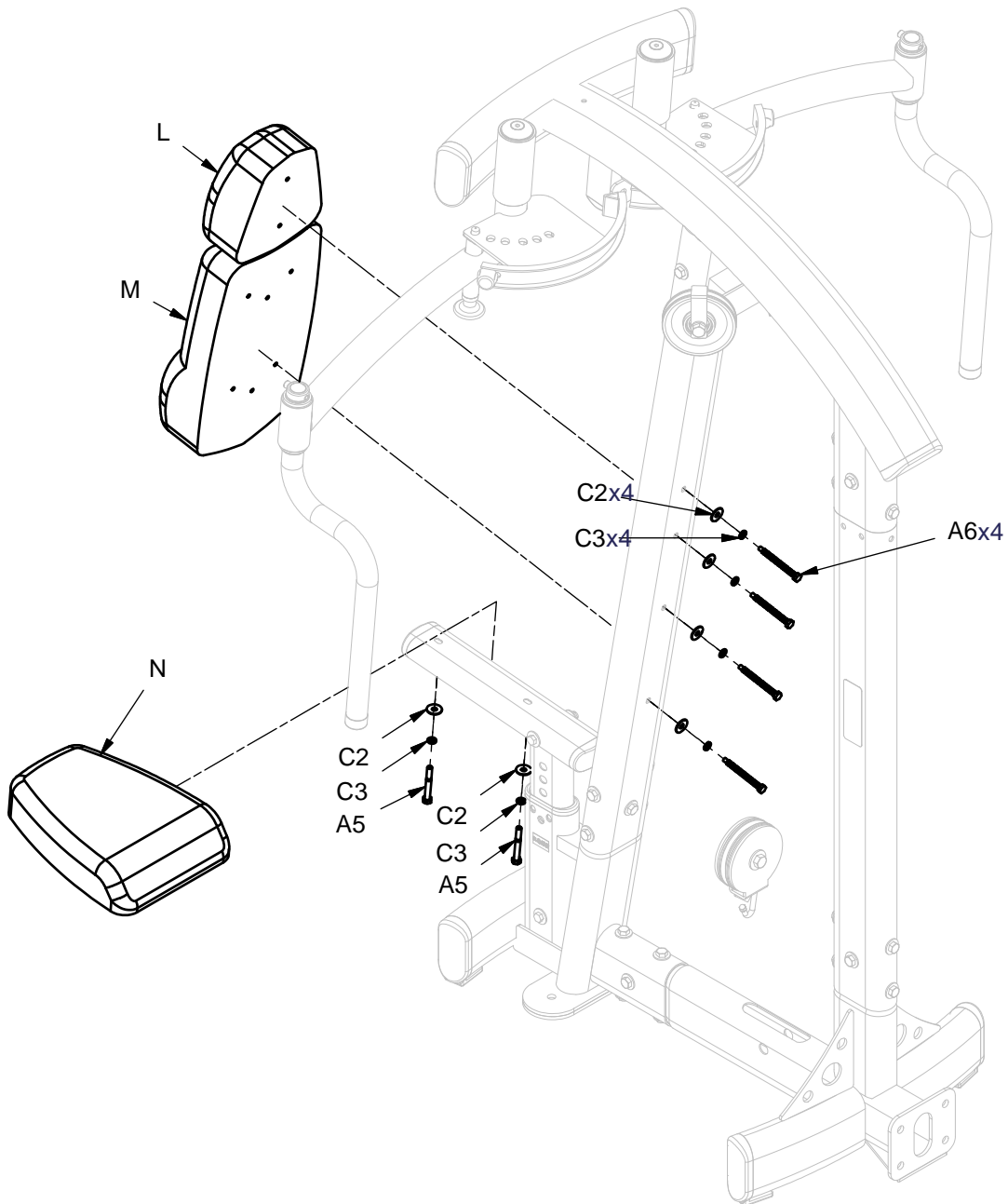
D15



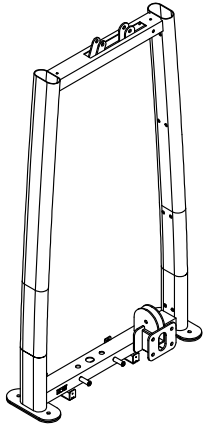
DPEC ASSEMBLY INSTRUCTIONS



Above shows STEP 7
assembled and completed

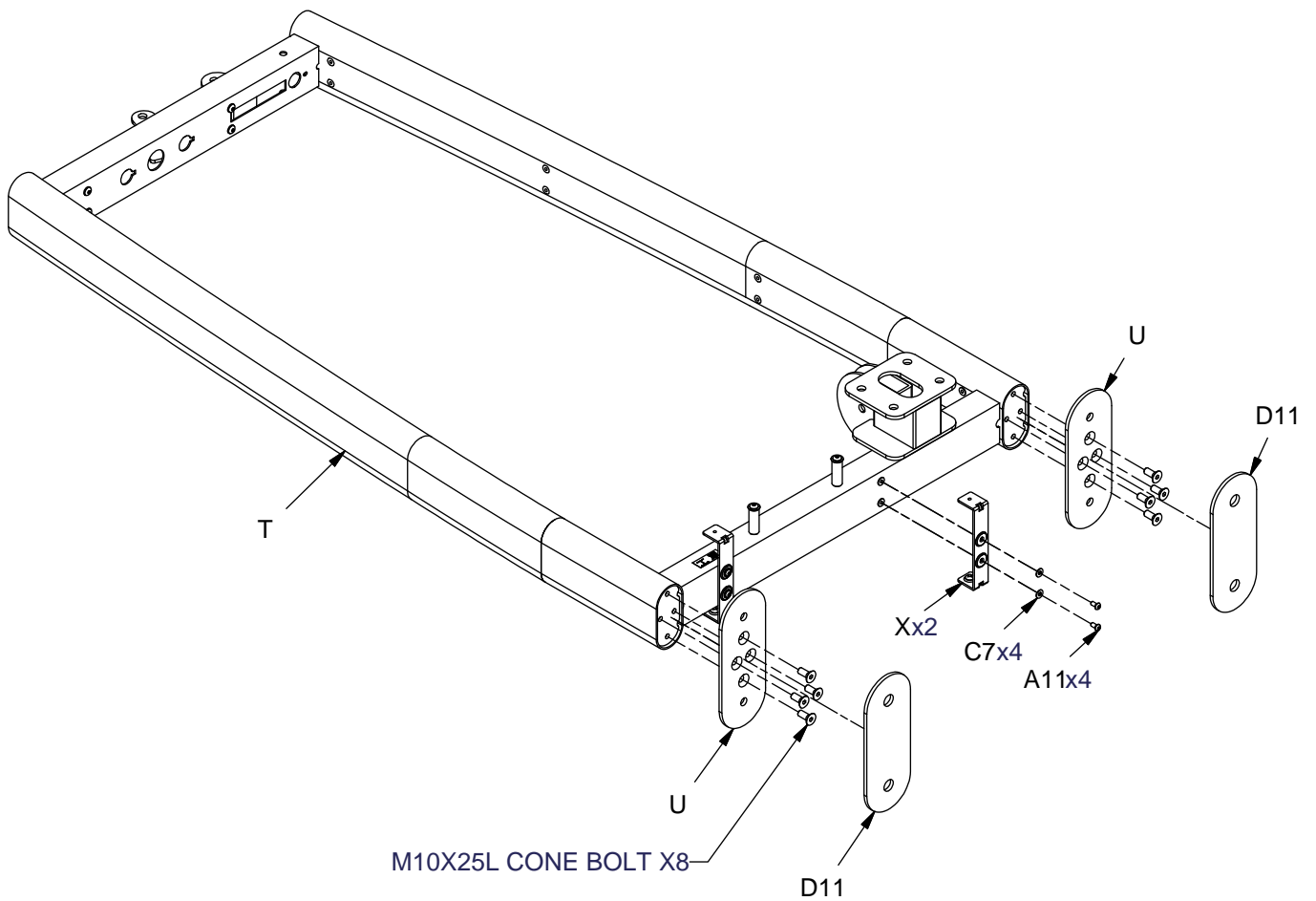


DPEC ASSEMBLY INSTRUCTIONS

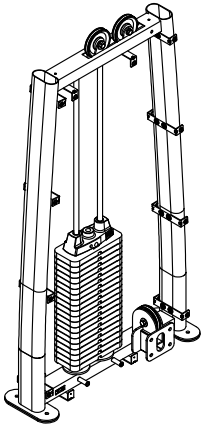


Above shows STEP 8
assembled and completed

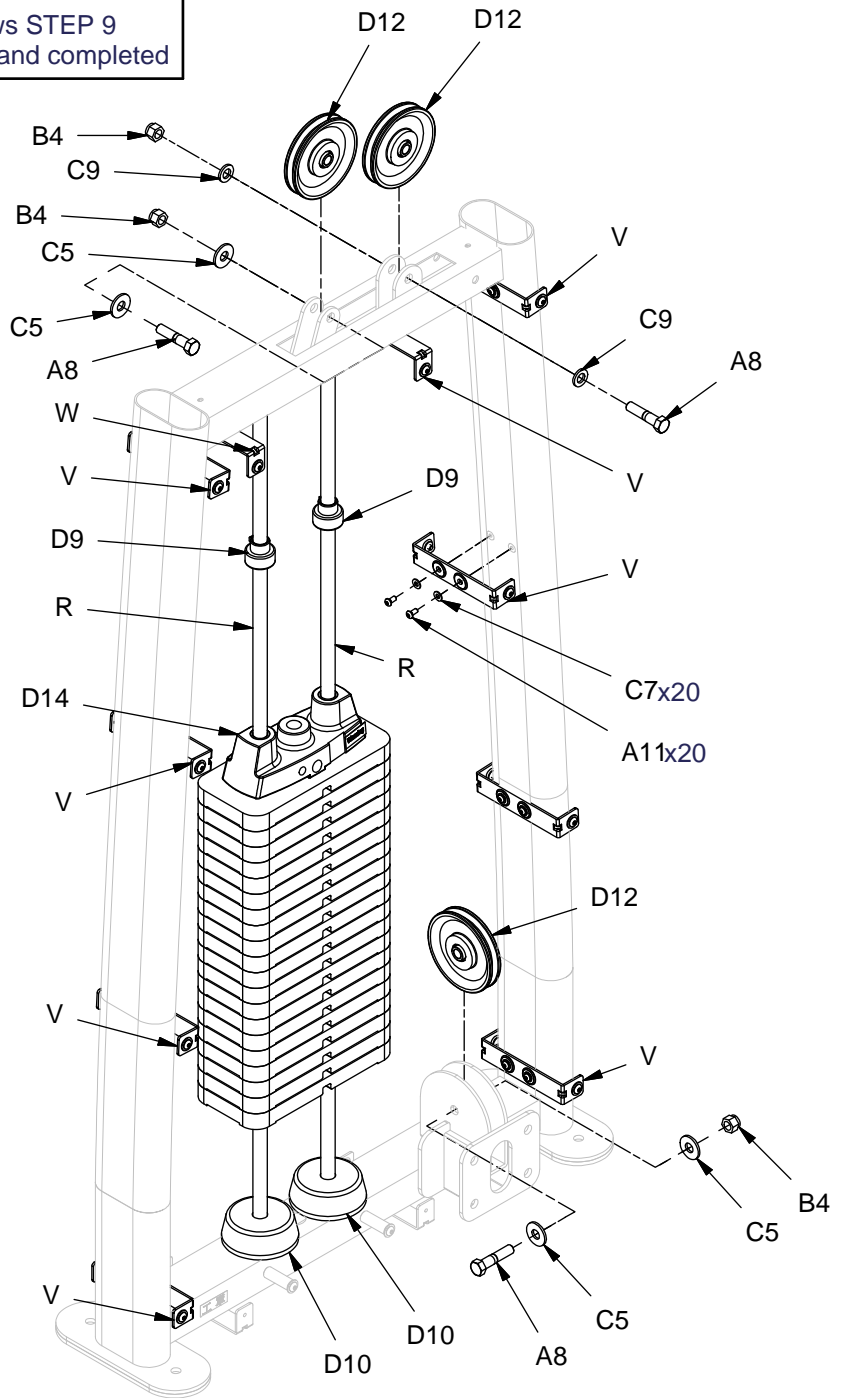
DPEC single weight stack assembly instructions



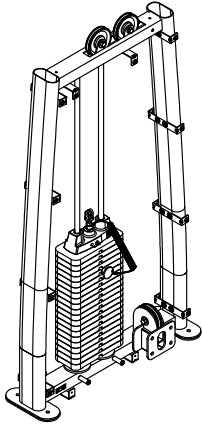
DPEC ASSEMBLY INSTRUCTIONS



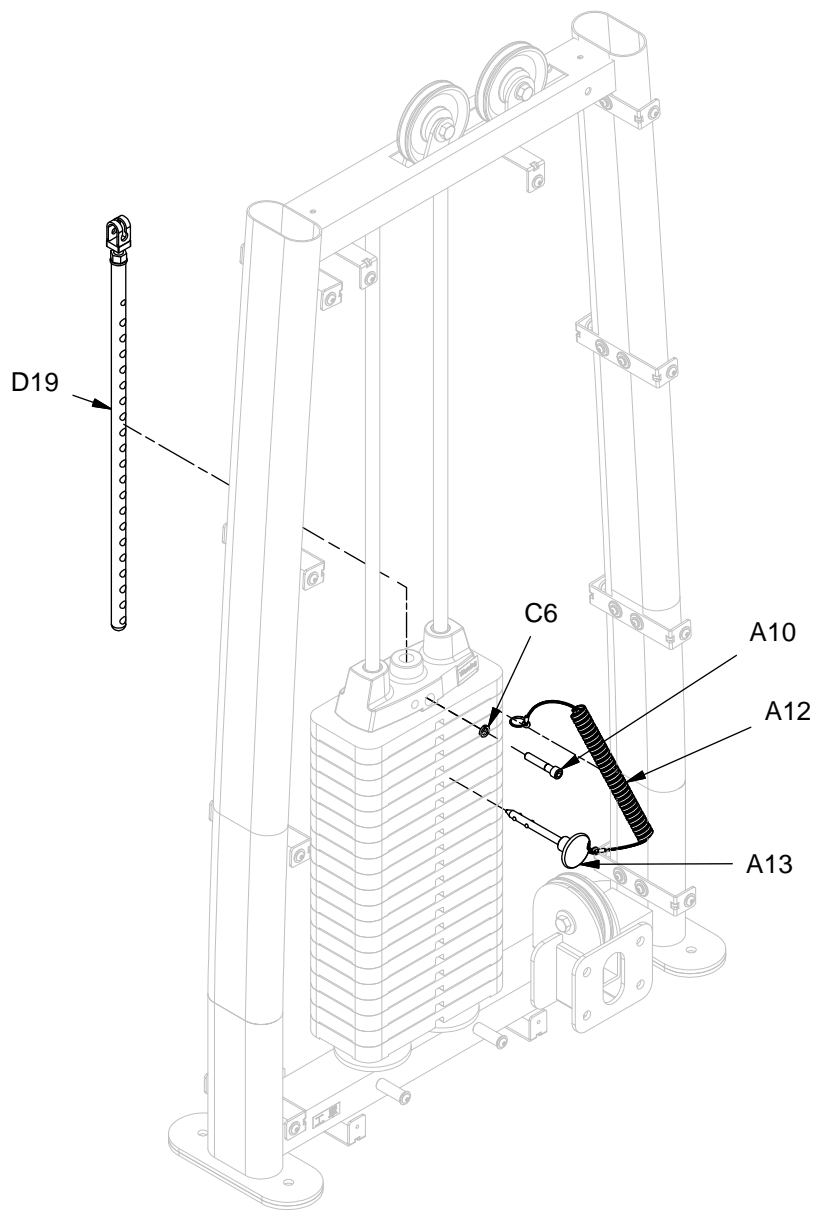
Above shows STEP 9 assembled and completed



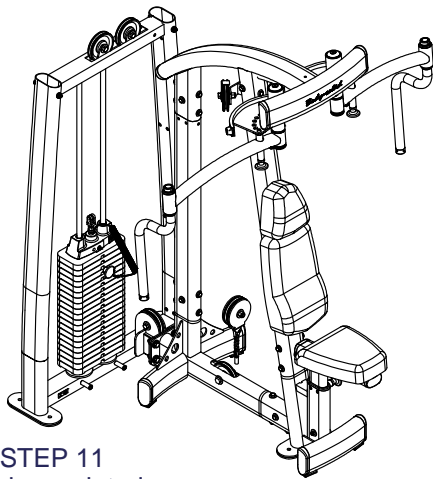
DPEC ASSEMBLY INSTRUCTIONS



Above shows STEP 10
assembled and completed

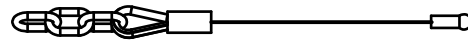


DPEC ASSEMBLY INSTRUCTIONS

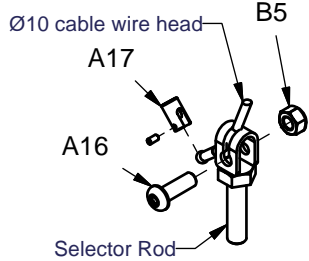


Above shows STEP 11 assembled and completed

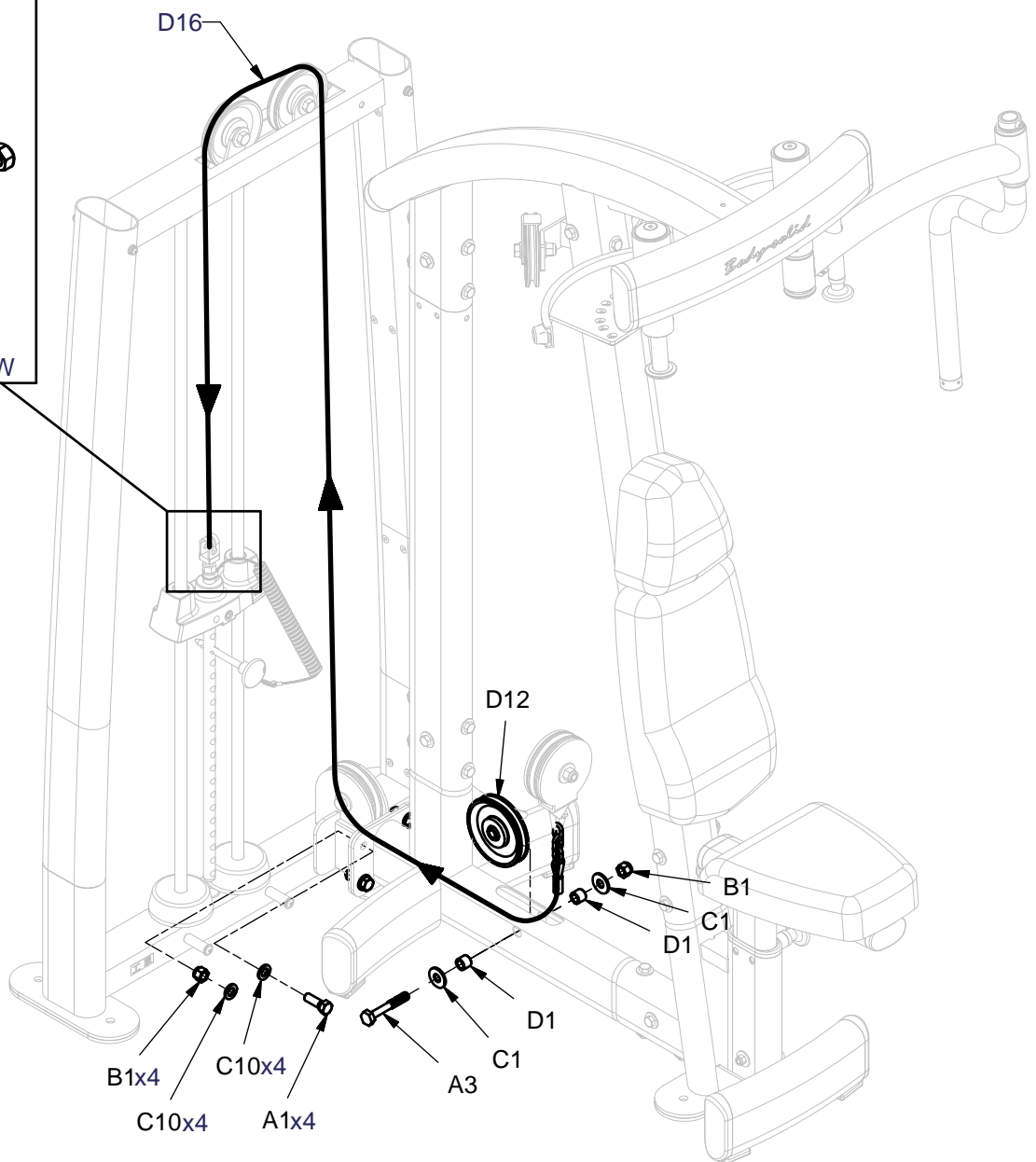
D16



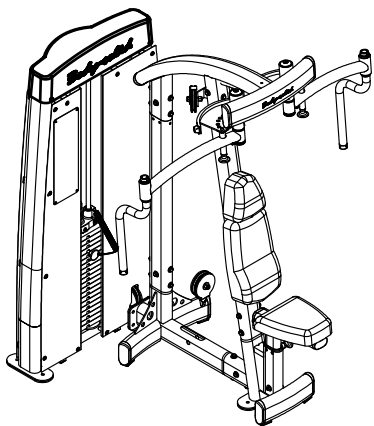
assemble direction



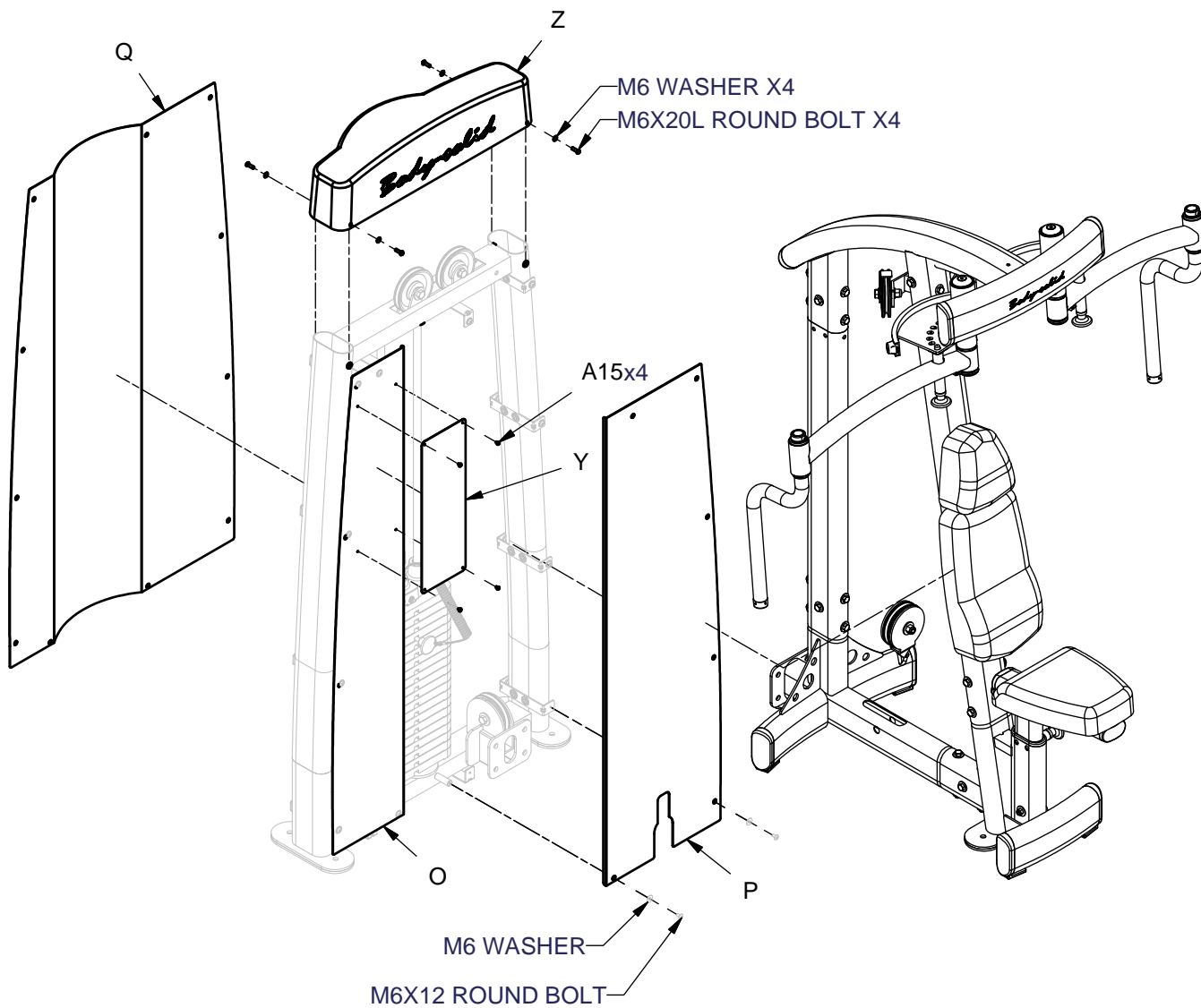
DETAIL VIEW



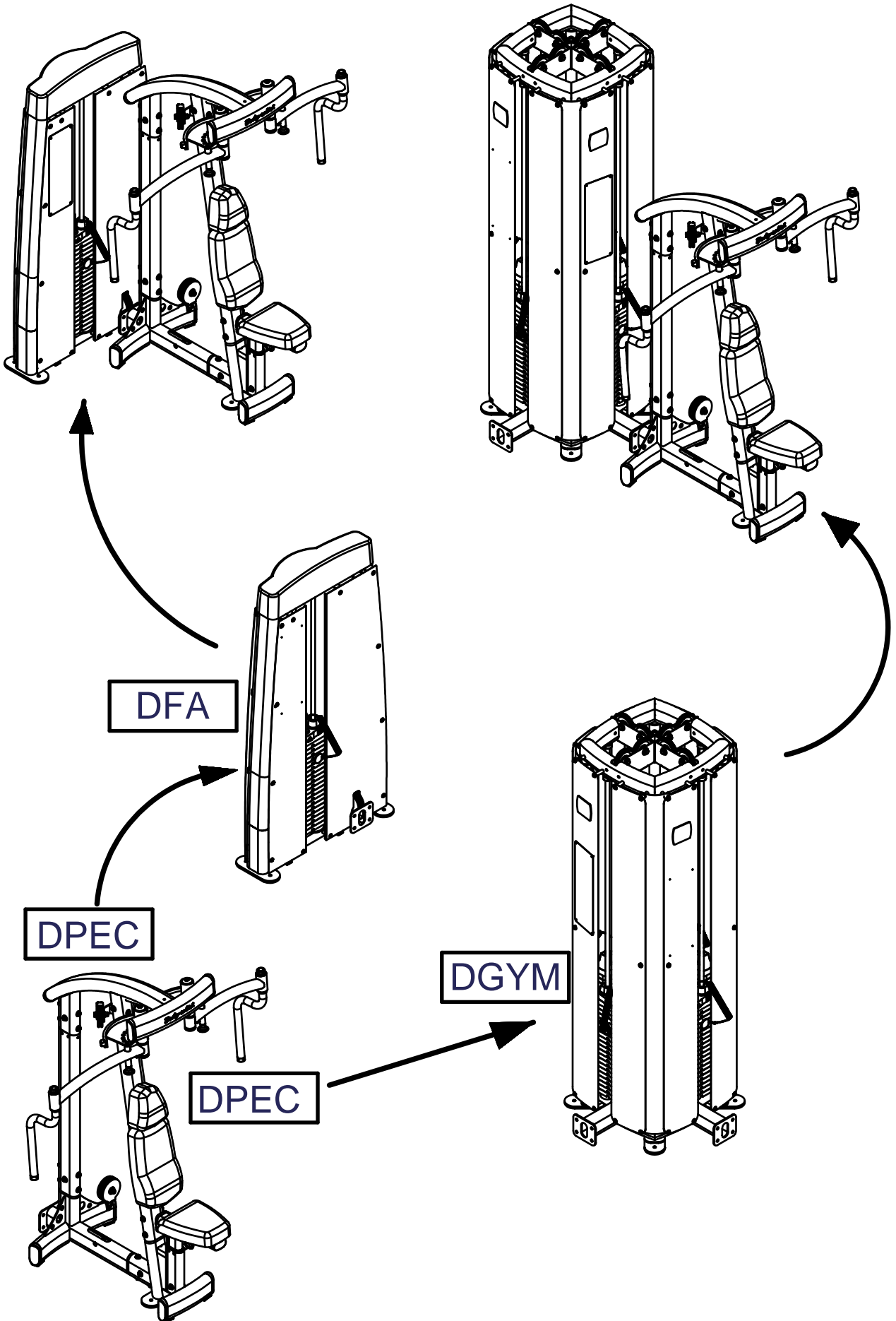
DPEC ASSEMBLY INSTRUCTIONS



Above shows STEP12
assembled and completed



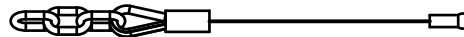
DPEC ASSEMBLY INSTRUCTIONS



DPEC ASSEMBLY INSTRUCTIONS

Cable to match illustration

D18



assemble direction →

